

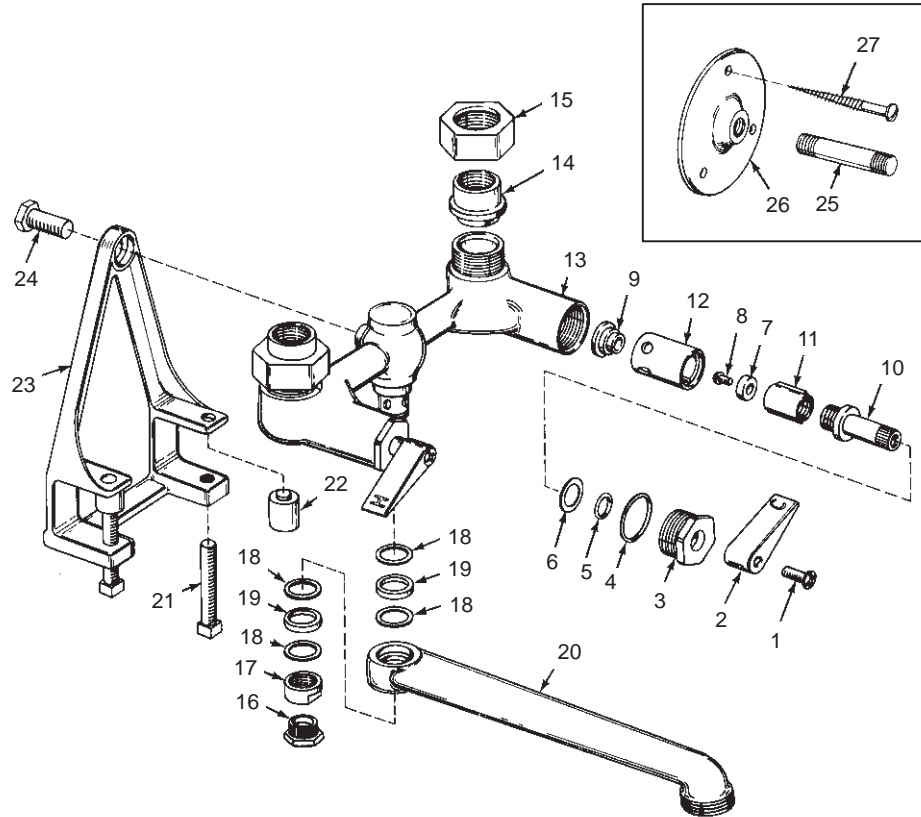
K-8950§
K-8955§

LAUNDRY TRAY FITTING
LAUNDRY TRAY FITTING LESS BRACKET

ORDER BY KIT NUMBER OR PART NUMBER, NOT ITEM NUMBER OR KIT LETTER.

Ordering Options

Item	Part No. or Kit
1	B
2	C
3	34365‡
4, 5, 6, 7, 8, 9	A, D or E
10, 11, 12	D or E
13	*
14	29571‡
15	24003‡
16, 17, 18, 19	F
20	46338‡
21	G
22	H
23	46348‡
24	46349
25, 26	I
27	J



Kit Ordering Information

Kit	Kit Part No.	Kit Name	Kit Contents
A	30294	Valve Rebuilding	2 ea., Items 4 thru 9 B
B	30105‡	Screw	2 ea., Item 1
C	30025‡	Lever Handle	1 ea. Hot, 1 ea. Cold; Item 2
D	30002‡	Valve Replacement (Closes Clockwise)	1 ea., Items 4 thru 12
E	30004‡	Valve Replacement (Closes Counterclockwise)	1 ea., Items 4 thru 12 F
F	30255‡	Spout Rebuilding	1 ea., Items 16 and 17; 2 ea., Item 19; 4 ea., Item 18
G	46341	Screw	2 ea., Item 21
H	46350	Spacer	2 ea., Item 22
I	30254‡	Flange S.A.	1 ea., Items 25 and 26
J	24085‡	Wood Screw	3 ea., Item 27

KITS MAY INCLUDE EXTRA PARTS

NOTES:

* Not available as a service part.

LEGEND:

‡ Specify Finish.
§ Reference Number Only.