

K-11940
-PH

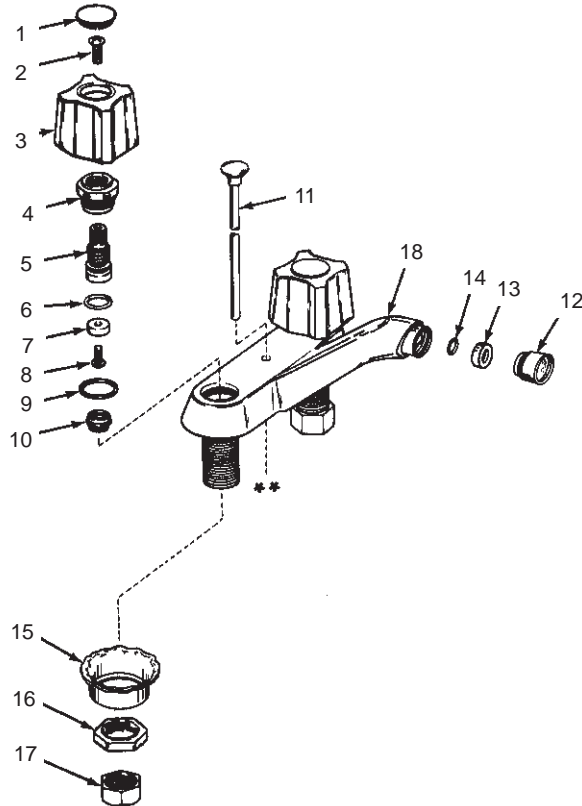
TREND

BIDET FITTING
WITH PLASTIC HANDLES

ORDER BY KIT NUMBER OR PART NUMBER, NOT ITEM NUMBER OR KIT LETTER.

Ordering Options

Item	Part No. or Kit
1	B or C
2	D
3	E or F or G
4, 5	H
6, 7, 8	A, H
9, 10	A
11	20781‡
12	30072‡
13	21174
14	42160
15, 16, 17	I
18	*



Kit Ordering Information

Kit	Kit Part No.	Kit Name	Kit Contents
A	30404	Valve Service Kit	2 ea., Items 6 thru 10
B	30000	Plug Buttons (Chrome)	1 ea. Hot, 1 ea. Cold; Item 1
C	30001	Plug Buttons (Burnished Brass)	1 ea. Hot, 1 ea. Cold; Item 1
D	30098	Screws	3 ea., Item 2
E	30009	Handles (Clear)	1 ea. Hot, 1 ea. Cold; Item 3
F	30029	Handles (Charcoal)	1 ea. Hot, 1 ea. Cold; Item 3
G	30011‡	Handles (Chrome)	1 ea. Hot, 1 ea. Cold; Item 3
H	30395	Valve Assembly	1 ea., Items 4 thru 10
I	30228	Mounting Hardware	1 ea., Items 15, 16 and 17

KITS MAY INCLUDE EXTRA PARTS

NOTES:

- * Not available as a service part.
- ** For pop-up drain, see K-7701.

LEGEND:

- ‡ Specify Finish.