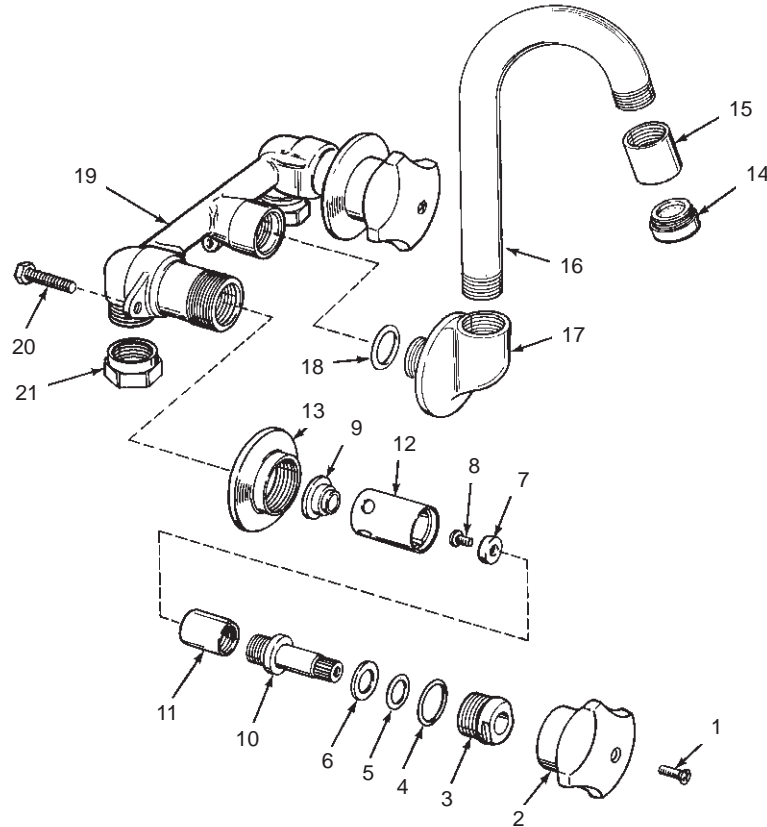


K-13364-T SHELF-BACK LAVATORY FITTING

ORDER BY KIT NUMBER OR PART NUMBER, NOT ITEM NUMBER OR KIT LETTER.

Ordering Options

Item	Part No. or Kit
1	B
2	C
3	20475
4, 5, 6, 7, 8, 9	A, D
10, 11, 12	D
13	G
14	41056‡
15	34503‡
16	33392‡
17	33391‡
18	40933
19	*
20	E
21	F



Kit Ordering Information

Kit	Kit Part No.	Kit Name	Kit Contents
A	30294	Valve Rebuilding	2 ea., Items 4 thru 9
B	30097‡	Screw	2 ea., Item 1
C	30024‡	Triton II Handle	1 ea. Hot, 1 ea. Cold; Item 2
D	30002	Valve Replacement	1 ea., Items 4 thru 12
E	30113	Screw	2 ea., Item 20
F	30230	Coupling Nut	2 ea., Item 21
G	30085‡	Escutcheon	2 ea., Item 13

KITS MAY INCLUDE EXTRA PARTS

NOTES:

* Not available as a service part.

LEGEND:

‡ Specify Finish.