

# KOHLER® SERVICE PARTS

## COMMERCIAL FITTINGS

K-13061-T

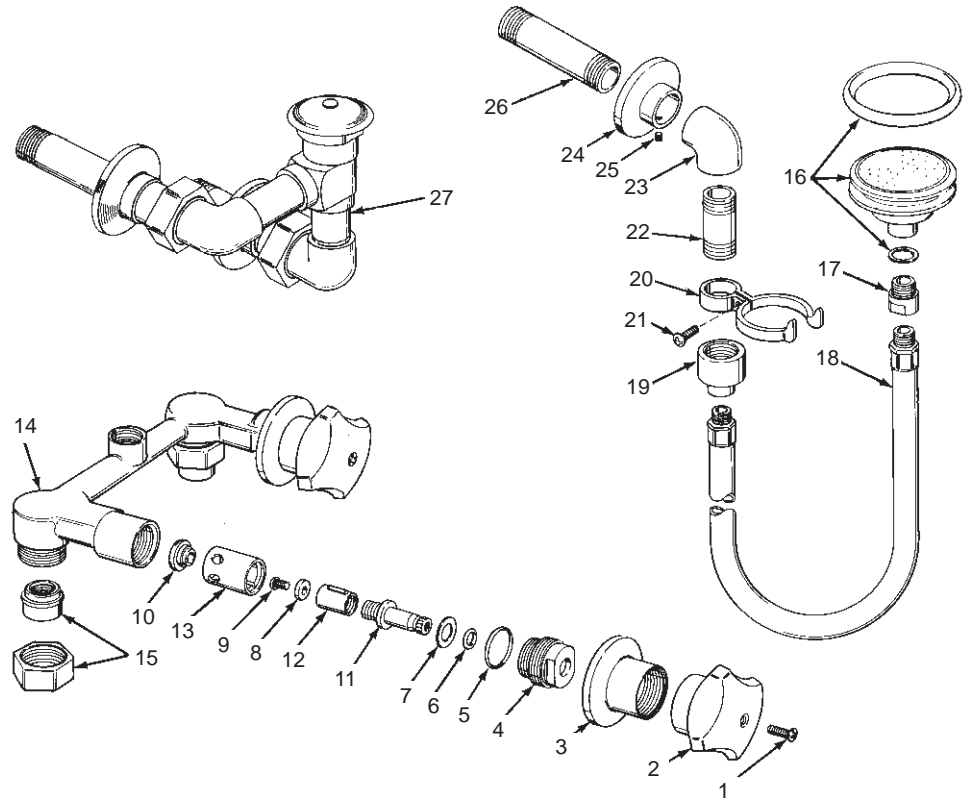
TRITON II

BUILT-IN SHAMPOO FAUCET WITH VACUUM BREAKER

ORDER BY KIT NUMBER OR PART NUMBER, NOT ITEM NUMBER OR KIT LETTER.

### Ordering Options

Item	Part No. or Kit
1	B
2	C
3	E
4	34253
5, 6, 7, 8, 9, 10	A, D
11, 12, 13	D
14	*
15	F or G
16	24070‡, H
17	29249‡, H
18	29240‡, H
19	29239‡, H
20	31397‡, H
21	33357, H
22	32429‡, H
23	24137‡, H
24	22911‡, H
25	32966, H
26	29161‡, H
27	I



### Kit Ordering Information

Kit	Kit Part No.	Kit Name	Kit Contents
A	30294	Valve Rebuilding	2 ea., Items 5 thru 10
B	30097‡	Screw	2 ea., Item 1
C	30021‡	Triton II Handle	2 ea. Hot, 1 ea., Cold; Item 2
D	30002	Valve Replacement	1 ea., Items 5 thru 13
E	30071‡	Escutcheon	2 ea., Item 3
F	30203	Union S.A. (5/8" O.D. Copper)	2 ea., Item 15
G	30204	Union S.A. (1/2" I.P.)	2 ea., Item 15
H	29609‡	Spray	1 ea., Items 16 thru 26
I	K-13055■	Vacuum Breaker	1 ea., Item 27

### KITS MAY INCLUDE EXTRA PARTS

#### NOTES:

\* Not available as a service part.

#### LEGEND:

‡ Specify Finish.

■ Parts further exploded in catalog; see INDEX.