

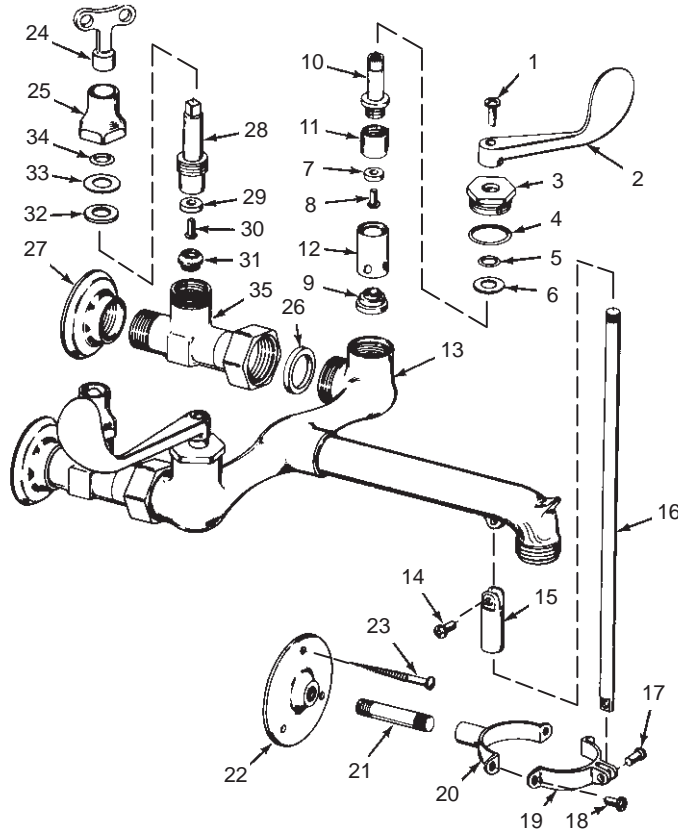
K-13629
K-8899

SERVICE SINK FITTING
SERVICE SINK FITTING

ORDER BY KIT NUMBER OR PART NUMBER, NOT ITEM NUMBER OR KIT LETTER.

Ordering Options

Item	Part No. or Kit
1	K
2	B or C
3	34365‡
4, 5, 6, 7, 8, 9	A, D or E, F or G
10, 11, 12	D or E, F or G
13	*
14	33625‡
15	48252‡
16	48255‡
17	33625‡
18	33625‡
19, 20	48258‡
21	24618‡
22	24571‡
23	24085
24	32338‡, H
25	32486‡, H
26	40718, H
27	39708‡, H
28	H, I
29, 30	H, I, J
31, 32, 33, 34	H, J
35	H



Kit Ordering Information

Kit	Kit Part No.	Kit Name	Kit Contents
A	30294	Valve Rebuilding	2 ea., Items 4 thru 9
B	30065‡	6" Elbow Handle	1 ea. Hot, 1 ea. Cold; Item 2
C	30025‡	Lever Handle (Not Illustrated)	1 ea. Hot, 1 ea. Cold (not illustrated)
D	30134	Valve Replacement (Closes Counterclockwise, 6" Elbow)	1 ea., Items 4 thru 12
E	30135	Valve Replacement (Closes Clockwise, 6" Elbow)	1 ea., Items 4 thru 12
F	30004	Valve Replacement (Closes Counterclockwise, Lever)	1 ea., Items 4 thru 12
G	30002	Valve Replacement (Closes Clockwise, Lever)	1 ea., Items 4 thru 12
H	31749	Loose Key Stop	2 ea., Items 24 thru 35
I	31944	Stem S.A.	1 ea., Items 28, 29, and 30
J	30300	Stop Rebuilding	2 ea., Items 29 thru 34
K	30105‡	Screw	2 ea., Item 1

KITS MAY INCLUDE EXTRA PARTS

NOTES:

* Not available as a service part.

LEGEND:

‡ Specify Finish.