

K-13639-T

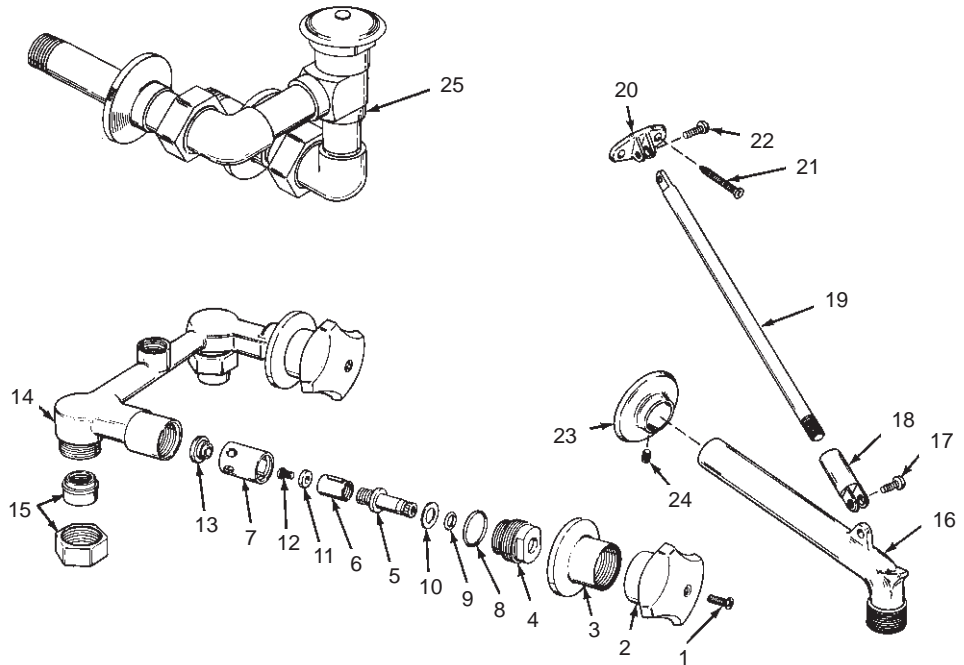
TRITON II

BUILT-IN SERVICE SINK FAUCET WITH VACUUM BREAKER

ORDER BY KIT NUMBER OR PART NUMBER, NOT ITEM NUMBER OR KIT LETTER.

Ordering Options

Item	Part No. or Kit
1	A
2	B
3	C
4	34253
5, 6, 7	D, E
8, 9, 10, 11, 12, 13	E
14	*
15	F or G
16	47892‡
17	33625‡
18, 19, 20	H
21	51967‡
22	33625‡
23	41043‡
24	32966‡
25	I



Kit Ordering Information

Kit	Kit Part No.	Kit Name	Kit Contents
A	30105‡	Screw	2 ea., Item 1
B	30021‡	Triton II Handle	1 ea. Hot, 1 ea. Cold; Item 2
C	30071‡	Escutcheon	2 ea., Item 3
D	30002	Valve Replacement	1 ea., Items 5 thru 13
E	30294	Valve Rebuilding	2 ea., Items 8 thru 13
F	30204	Union S.A. (1/2" I.P.)	2 ea., Item 15
G	30203	Union S.A. (5/8" O.D. Copper)	2 ea., Item 15
H	30252‡	Rod S.A.	1 ea., Items 18, 19, and 20
I	K-13055■	Vacuum Breaker	1 ea., Item 25

KITS MAY INCLUDE EXTRA PARTS

NOTES:

* Not available as a service part.

LEGEND:

‡ Specify Finish.

■ Parts further exploded in catalog; see INDEX.