

K-13710
K-13715

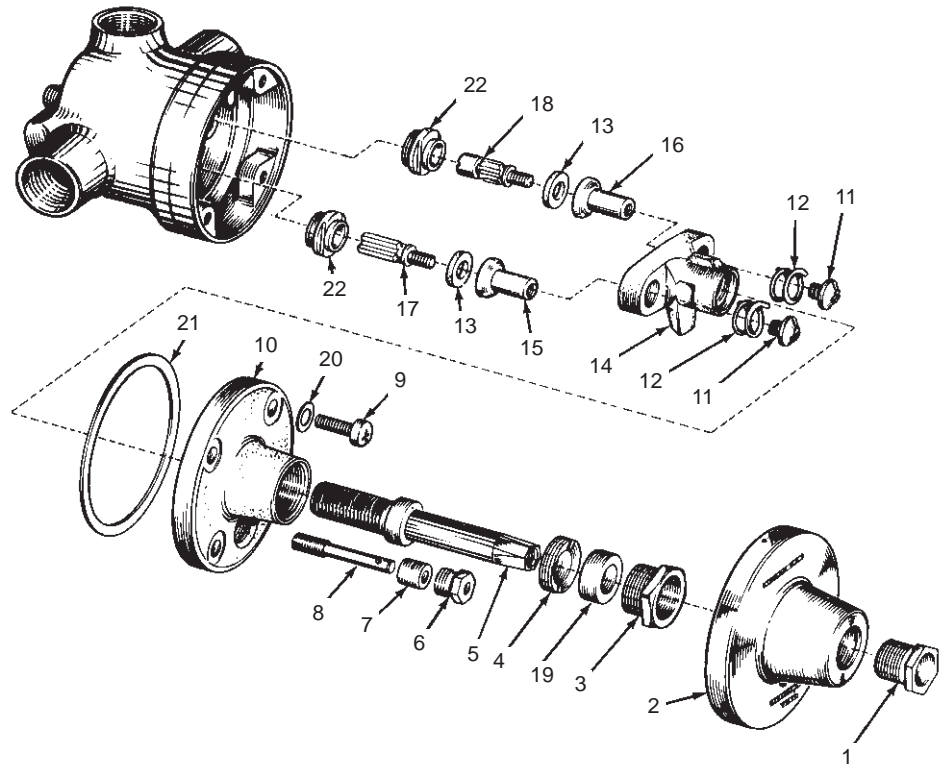
NIEDECKEN
NIEDECKEN

EXPOSED MIXER PARTS FOR KNEE ACTION FITTING
EXPOSED MIXER PARTS FOR KNEE ACTION FITTING

ORDER BY KIT NUMBER OR PART NUMBER, NOT ITEM NUMBER OR KIT LETTER.

Ordering Options

Item	Part No. or Kit
1	21721†
2	21726†
3, 4, 5	A
6, 7, 8	B
9	21775
10	21745
11, 12	C, D or E
13	F, D or E
14, 15, 16, 17, 18	D or E
19, 20, 21, 22	F



Kit Ordering Information

Kit	Kit Part No.	Kit Name	Kit Contents
A	30264†	Packing Nut Assembly	1 ea., Items 3, 4, and 5
B	30211†	Regulating Screw	1 ea., Items 6, 7, and 8
C	30208†	Spring S.A.	2 ea., Items 11 and 12
D	21992	Yoke and Plunger (K-13715)	2 ea., Items 11, 12, and 13; 1 ea., Items 14 thru 18
E	21993	Yoke and Plunger (K-13710)	2 ea., Items 11, 12, and 13; 1 ea., Items 14 thru 18
F	21518† ††	Valve Rebuilding	4 ea., Item 20; 2 ea., Items 13 and 22; 1 ea., Items 19 and 21

KITS MAY INCLUDE EXTRA PARTS

NOTES:

- † #22116 Seat wrench required for service.
- †† #22117 Spindle bushing wrench required for service.
- * #21707 Stirrup handle (not illustrated).
- #21701 Handle screw (not illustrated).

LEGEND:

- ‡ Specify Finish.
- † Service tool required; see NOTES section.