

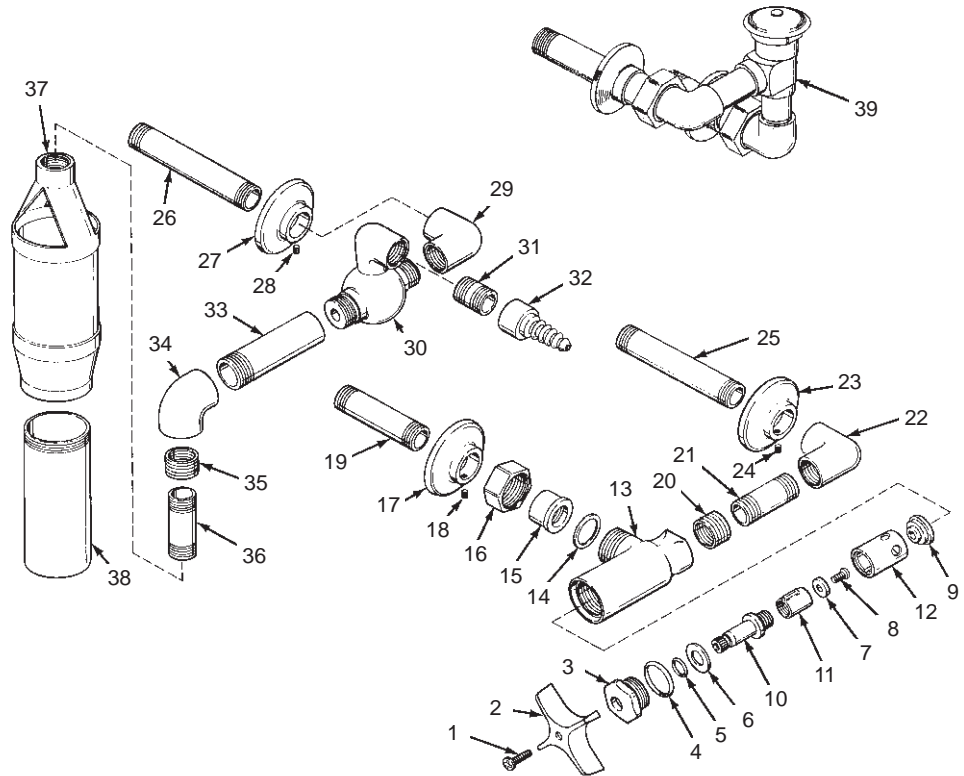
K-13839

ASPIRATOR WITH HORIZONTAL EJECTOR (INCLUDES VACUUM BREAKER)

ORDER BY KIT NUMBER OR PART NUMBER, NOT ITEM NUMBER OR KIT LETTER.

### Ordering Options

Item	Part No. or Kit
1	C
2	D
3	34365
4, 5, 6, 7, 8, 9	A, E
10, 11, 12	A
13	41183
14	33031
15	41189‡
16	41190‡
17	24006‡
18, 24, 28	32966‡
19	33448‡
20	24859
21	35604‡
22, 29	33470‡
23, 27	24006‡
24, 18, 28	32966‡
25, 26	41181‡
27, 23	24006‡
28, 18, 24	32966‡
29, 22	33470‡
30	41176‡
31	34822‡
32	40976‡
33	41179‡
34	24137‡
35	24859
36	35564‡
37	41172‡
38	28889‡
39	B



### Kit Ordering Information

Kit	Kit Part No.	Kit Name	Kit Contents
A	30002	Valve Replacement	1 ea., Items 4 thru 12
B	K-13055■	Vacuum Breaker	1 ea., Item 39
C	30105‡	Screw	2 ea., Item 1
D	30015	Aquaric Chrome Handle	1 ea. Hot, 1 ea. Cold; Item 2
E	30294	Valve Rebuilding	2 ea., Items 4 thru 9

KITS MAY INCLUDE EXTRA PARTS

NOTES:

LEGEND:

‡ Specify Finish.

■ Parts further exploded in catalog; see INDEX.