

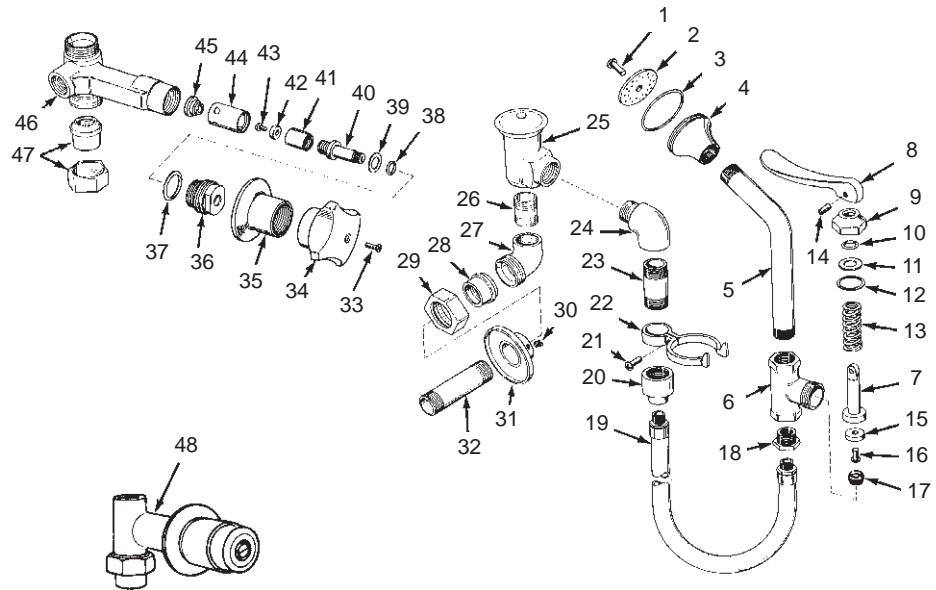
K-13931-T

BUILT-IN BEDPAN WASHER SINGLE-VALVE FITTING
(WITH CHECK STOP)

ORDER BY KIT NUMBER OR PART NUMBER, NOT ITEM NUMBER OR KIT LETTER.

Ordering Options

Item	Part No. or Kit
1, 2, 3	A, B
4	A
5	24648‡
6, 7, 8, 9	C
10, 11, 12, 13,	C, D
14, 15, 16, 17	C, D
18	29238‡
19	29240
20	29239‡
21, 22	E
23	32429‡
24	33488‡
25	29656‡
26	29280‡
27, 28, 29	F
30	32966‡
31	24005‡
32	29161‡
33	G
34	H
35	I
36	34253
37, 38, 39, 40, 41,	J
42, 43, 44, 45	J
46	22938
47	K or L
48	M



Kit Ordering Information

Kit	Kit Part No.	Kit Name	Kit Contents
A	31710‡	Spray Head S.A.	1 ea., Items 1 thru 4
B	30266‡	Spray Face	1 ea., Items 1, 2, and 3
C	20174‡	Self-Closing Valve	1 ea., Items 6 thru 17
D	30302	Valve Rebuilding	1 ea., Items 10 thru 17
E	20230‡	Clamp	1 ea., Items 21 and 22
F	37591‡	Union Ell	1 ea., Items 27, 28, and 29
G	30097‡	Screw	2 ea., Item 33
H	30021‡	Triton II Handle	1 ea. Hot, 1 ea. Cold; Item 34
I	30071‡	Escutcheon	2 ea., Item 35
J	30002	Valve Replacement	1 ea., Items 37 thru 45
K	30203	Union S.A. (5/8" O.D. Copper)	2 ea., Item 47
L	30204	Union S.A. (1/2" I.P.)	2 ea., Item 47
M	K-7050■	Check Valve	1 ea., Item 48

KITS MAY INCLUDE EXTRA PARTS

NOTES:

LEGEND:

‡ Specify Finish.

■ Parts further exploded in catalog; see INDEX.