

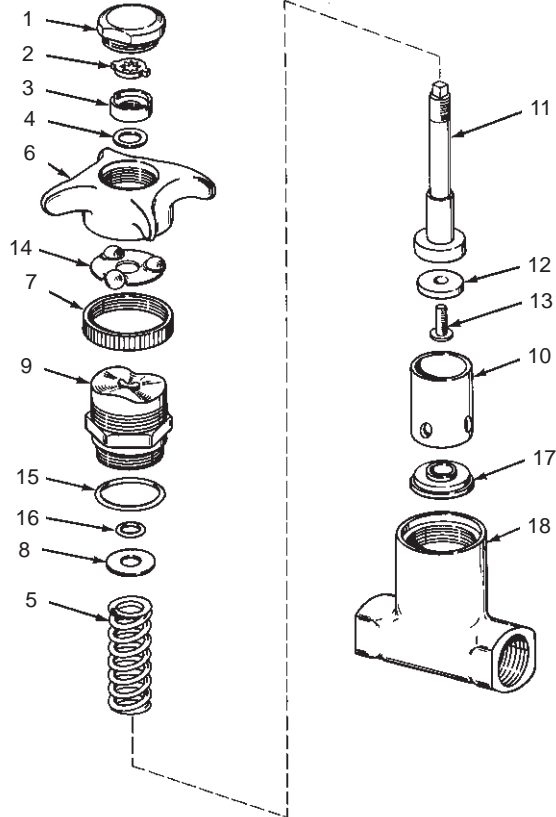
34648

SELF-CLOSING VALVE FOR DRINKING FOUNTAIN
WITH/EXPOSED SUPPLY FITTING

ORDER BY KIT NUMBER OR PART NUMBER, NOT ITEM NUMBER OR KIT LETTER.

Ordering Options

Item	Part No. or Kit
1	33236‡, C
2, 3, 4	B, C
5	35563, C
6	33237‡, C
7	35012‡, C
8	34935, C
9	34652, C
10	34937, C
11	D, C
12, 13	A, D, C
14, 15, 16	A, C
17	A
18	*



Kit Ordering Information

Kit	Kit Part No.	Kit Name
A	30271	Valve Rebuilding
B	30272	Lock Ring S.A.
C	34649‡	Self-Closing Unit
D	34650	Stem with Washer and Screw

Kit Contents

1 ea., Items 12 thru 17
1 ea., Items 2, 3, and 4
1 ea., Items 1 thru 16
1 ea., Items 11, 12, and 13

KITS MAY INCLUDE EXTRA PARTS

NOTES:

* Not available as a service part.

LEGEND:

‡ Specify Finish.