

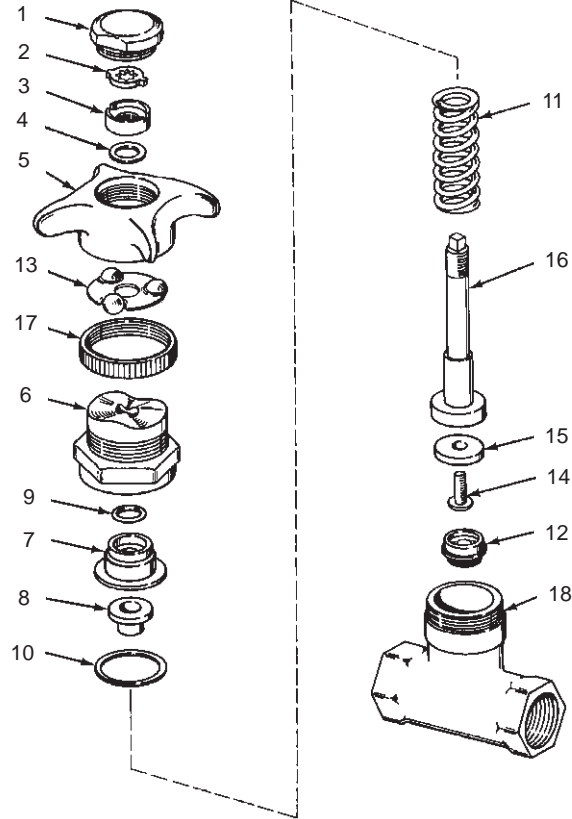
34764

SELF-CLOSING VALVE FOR DRINKING FOUNTAIN
WITH/EXPOSED SUPPLY FITTING

ORDER BY KIT NUMBER OR PART NUMBER, NOT ITEM NUMBER OR KIT LETTER.

Ordering Options

Item	Part No. or Kit
1	33236‡, C
2, 3, 4	B, C
5	33237‡, C
6, 7, 8	D, C
9, 10	A, D, C
11	A, C
12	A
13	A, C
14, 15	A, E, C
16	E, C
17	35012‡, C
18	*



Kit Ordering Information

Kit	Kit Part No.	Kit Name
A	30271†	Rebuilding
B	30272	Lock Ring S.A.
C	34813†‡	Self-Closing Unit
D	35632‡	Bonnet
E	31540†	Stem with Seat Washer

Kit Contents

1 ea., Items 9 thru 15
 1 ea., Items 2, 3, and 4
 1 ea., Items 1 thru 11 and 13 thru 17
 1 ea., Items 6 thru 10
 1 ea., Items 14, 15, and 16

KITS MAY INCLUDE EXTRA PARTS

NOTES:

- * Not available as a service part.
- † #21261 seat wrench required for service.

LEGEND:

- ‡ Specify Finish.
- † Service tool required; see NOTES section.