

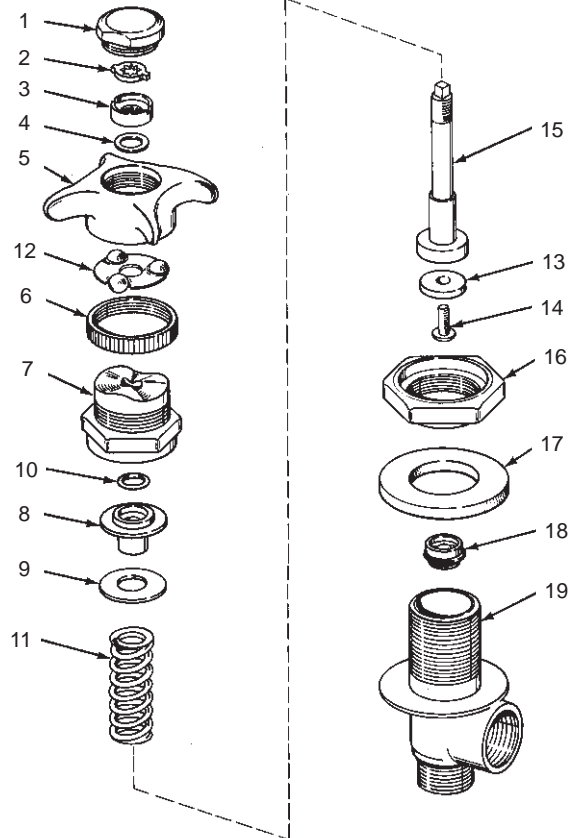
34765  
34788

SELF-CLOSING VALVE FOR SEMI-RECESS DRINKING FOUNTAINS  
SELF-CLOSING VALVE FOR WALL-HUNG DRINKING FOUNTAINS

ORDER BY KIT NUMBER OR PART NUMBER, NOT ITEM NUMBER OR KIT LETTER.

### Ordering Options

Item	Part No. or Kit
1	33236‡, C
2, 3, 4	B, C
5	33237‡, C
6	35012‡, C
7, 8, 9	D, C
10	A, D, C
11, 12	A, C
13	A, E
14, 15	A, E, C
16	35011‡, C
17	32841‡
18	40602
19	*



### Kit Ordering Information

Kit	Kit Part No.	Kit Name
A	30271†	Rebuilding
B	30272	Lock Ring S.A.
C	34812‡†	Self-Closing Unit
D	35630‡	Bonnet
E	34762†	Stem with Seat Washer

### Kit Contents

1 ea., Items 10 thru 14  
1 ea., Items 2, 3, and 4  
1 ea., Items 1 thru 12 and 14, 15, and 16  
1 ea., Items 7 thru 11  
1 ea., Items 13, 14, and 15

### KITS MAY INCLUDE EXTRA PARTS

#### NOTES:

- \* Not available as a service part.
- † #21261 seat wrench required for service.

#### LEGEND:

- ‡ Specify Finish.
- † Service tool required; see NOTES section.