

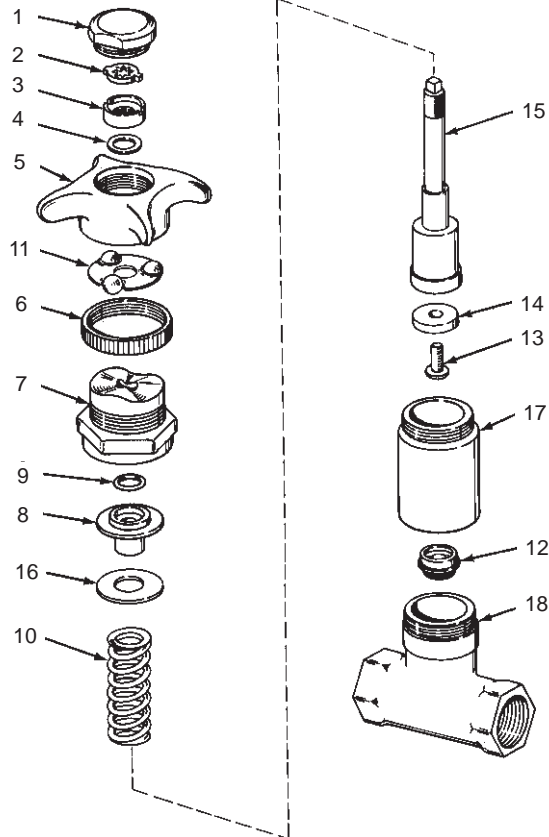
34784

SELF-CLOSING VALVE FOR PEDESTAL DRINKING FOUNTAINS

ORDER BY KIT NUMBER OR PART NUMBER, NOT ITEM NUMBER OR KIT LETTER.

Ordering Options

Item	Part No. or Kit
1	33236‡, C
2, 3, 4	B, C
5	33237‡, C
6	35012‡, C
7, 8	D, C
9	A, D, C
10, 11	A, C
12	A
13, 14	A, E, C
15	E, C
16	34227‡, C
17	35030‡
18	*



Kit Ordering Information

Kit	Kit Part No.	Kit Name
A	30271	Valve Rebuilding
B	30272	Lock Ring S.A.
C	34814‡†	Self-Closing Unit
D	35633‡	Bonnet
E	34774	Stem with Seat and Washer

Kit Contents

1 ea., Items 9 thru 14
 1 ea., Items 2, 3, and 4
 1 ea., Items 1 thru 11; 1 ea., Items 13 thru 16
 1 ea., Items 7, 8, and 9
 1 ea., Items 13, 14, and 15

KITS MAY INCLUDE EXTRA PARTS

NOTES:

- * Not available as a service part.
- † #21261 seat wrench required for service.

LEGEND:

- ‡ Specify Finish.
- † Service tool required; see NOTES section.