

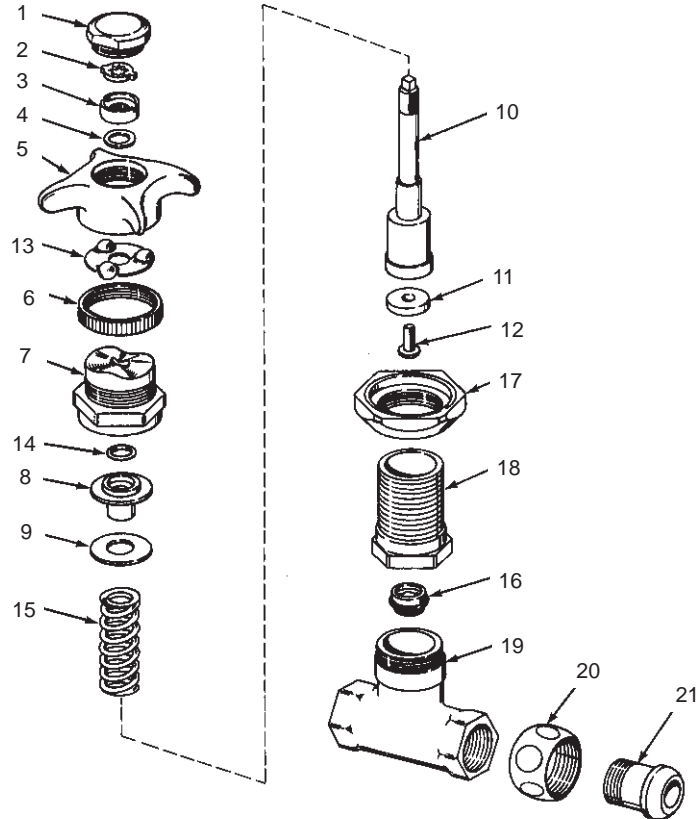
34913

SELF-CLOSING VALVE FOR RECESSED DRINKING FOUNTAINS

ORDER BY KIT NUMBER OR PART NUMBER, NOT ITEM NUMBER OR KIT LETTER.

Ordering Options

Item	Part No. or Kit
1	33236‡, C
2, 3, 4	B, C
5	33237‡, C
6	35012‡, C
7	34228‡, C
8	34226, C
9	34227, C
10	D, C
11, 12	A, D, C
13, 14, 15	A, C
16	A
17	35081‡
18	35079
19	*
20	21859
21	35080



Kit Ordering Information

Kit	Kit Part No.	Kit Name
A	30271†	Valve Rebuilding
B	30272	Lock Ring S.A.
C	34912‡	Self-Closing Unit
D	34774†	Stem with Seat and Washer

Kit Contents

1 ea., Items 11 thru 16
 1 ea., Items 2, 3, and 4
 1 ea., Items 1 thru 15
 1 ea., Items 10, 11, and 12

KITS MAY INCLUDE EXTRA PARTS

NOTES:

- * Not available as a service part.
- † #21261 seat wrench required for service.

LEGEND:

- ‡ Specify Finish.
- † Service tool required; see NOTES section.