

KOHLER[®] SERVICE PARTS

COMMERCIAL FITTINGS

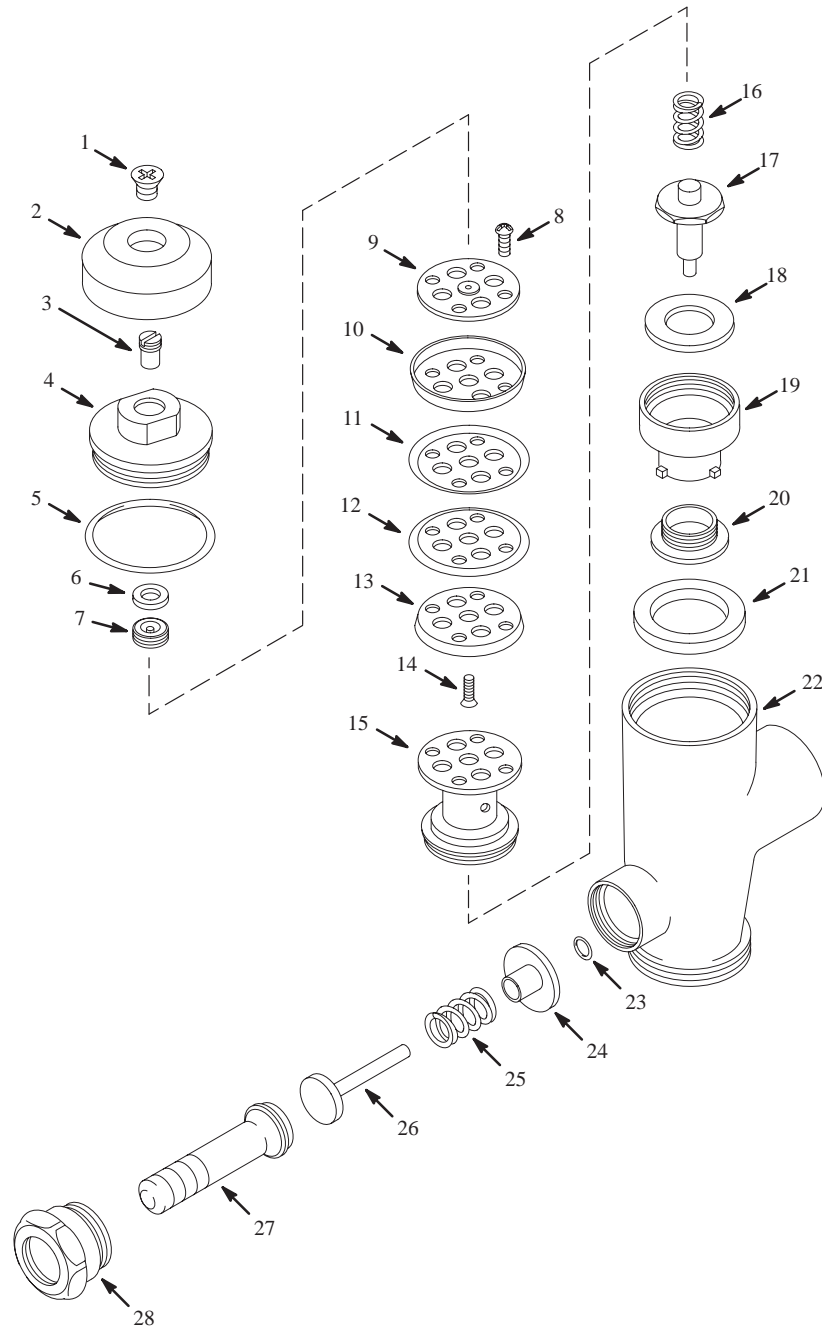
K-9435

METRO FLUSH VALVE FOR URINALS

ORDER BY KIT NUMBER OR PART NUMBER, NOT ITEM NUMBER OR KIT LETTER.

Ordering Options

Item	Part No. or Kit
1	51621 ‡
2	*
3	51586
4	*
5	51619
6	51583
7	51585
8 thru 20	*
21	51590
22	*
23	51679
24	51594
25	51592
26	51596
27	51595 ‡
28	51593 ‡



NOTES

* Not available as a service part.

LEGEND

‡ Specify finish.