

Ordering Information

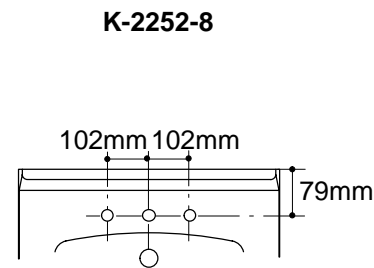
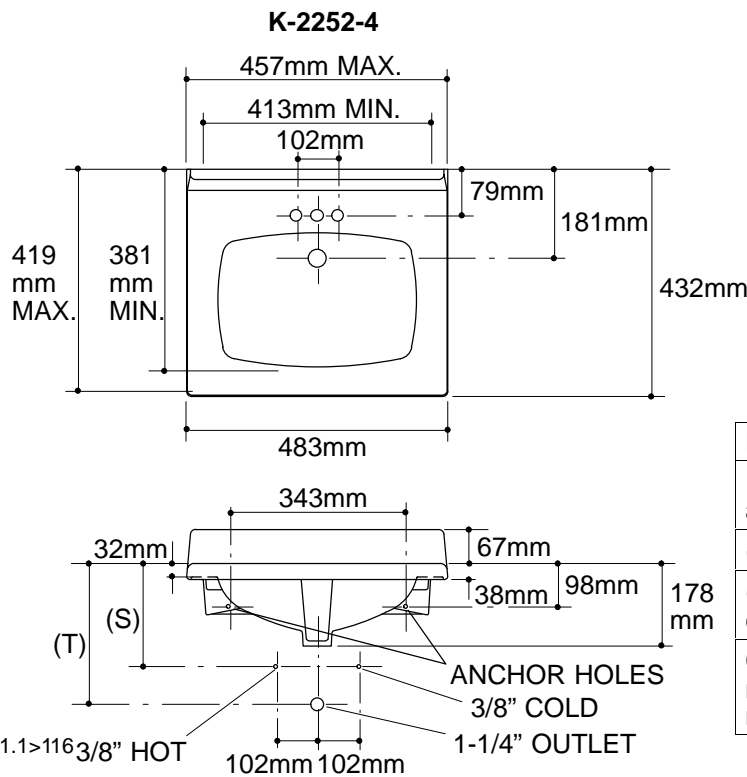
Applicable lavatory:		
102mm centers	K-2252-4	shown
203mm centers	K-2252-8	not shown

Product Information

Fixture*:		basin area	water depth
Lavatory		381 x 254mm	111mm
Outlet	Ø44mm		
* Approximate measurements for comparison only.			

Holes	K-2252-8	K-2252-4	
Spout	Ø30mm	Ø30mm	
Faucet	Ø35mm	Ø30mm	

Included Components:	
Cork shims (6)	63067
Adhesive sealant	63034



Roughing-In Notes

Fixture dimensions are nominal and conform to tolerances in ASME Standard A112.19.2M.

(T) Pop-up drain 321mm, grid drain 298mm.

(S) 254mm (Based on 305mm riser which may require cutting).

Cabinet front corner braces, back panels, and/or bracing may have to be modified or relocated on some cabinet models.