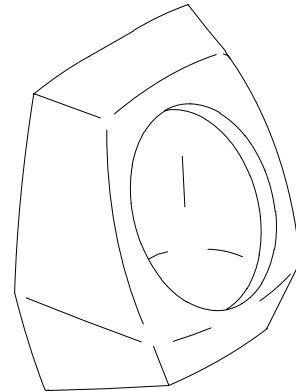


K-4955-R

ADA

FEATURES

- Vitreous china
- Siphon jet
- 3/4" rear spud
- 1.0 gallon or less flush
- ADA compliant when rim is mounted no higher than 17" from finished floor



CODES/STANDARDS APPLICABLE

Specified model meets or exceeds the following:

- ADA when rim is mounted no higher than 17" from finished floor
- ASME/ANSI A112.19.2M
- ASME/ANSI A112.19.6M
- CABO/ANSI A117.1
- Energy Policy Act of 1992 (EPACT)
- IAPMO/UPC
- Canadian Standards Association (CSA)
- States of Massachusetts, New York, & Texas
- City of Los Angeles, CA

COLORS/FINISHES

- 0 White
- Other Refer to Fixtures Price Book for additional colors

SPECIFIED MODEL:

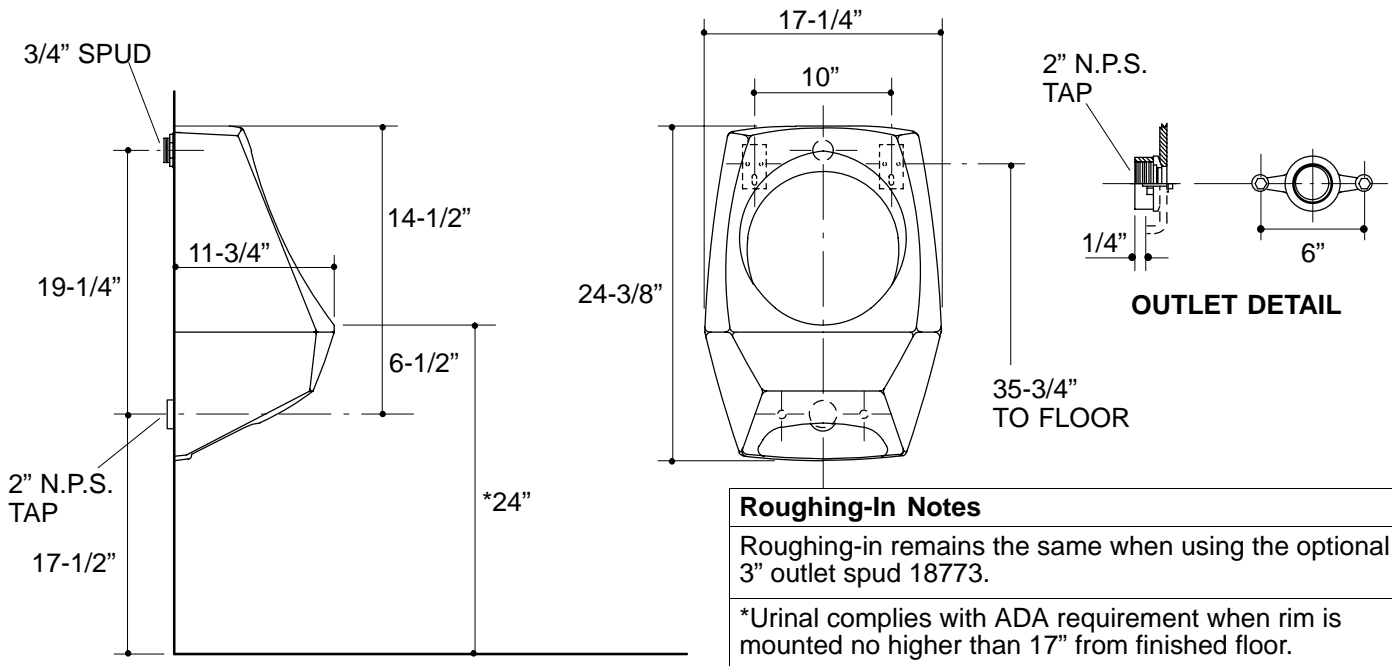
Model	Description	Colors/Finishes	
K-4955-R	3/4" rear spud urinal	<input type="checkbox"/> 0 White	<input type="checkbox"/> Other_____

PRODUCT SPECIFICATION:

The siphon jet urinal shall be made of vitreous china with a 3/4" rear spud. Urinal shall be 1.0 gallon or less flush. Urinal shall be ADA compliant when rim is mounted no higher than 17" from finished floor. Urinal shall be Kohler Model K-4955-R-_____.

PRODUCT INFORMATION

ADA compliant.	
Fixture:	
Configuration	Rear spud
Spud inlet size	3/4"
Gallons per flush	< 1 gallon*
* Designed to flush with less than one gallon of water when installed with a water saving flush valve.	
Included Components:	
3/4" inlet spud	18376
2" outlet spud	18766
Hangers (2 required)	64512
Flush valve requirements: Refer to manufacturer's instructions and local codes.	



1.15>116

PRODUCT DIAGRAM