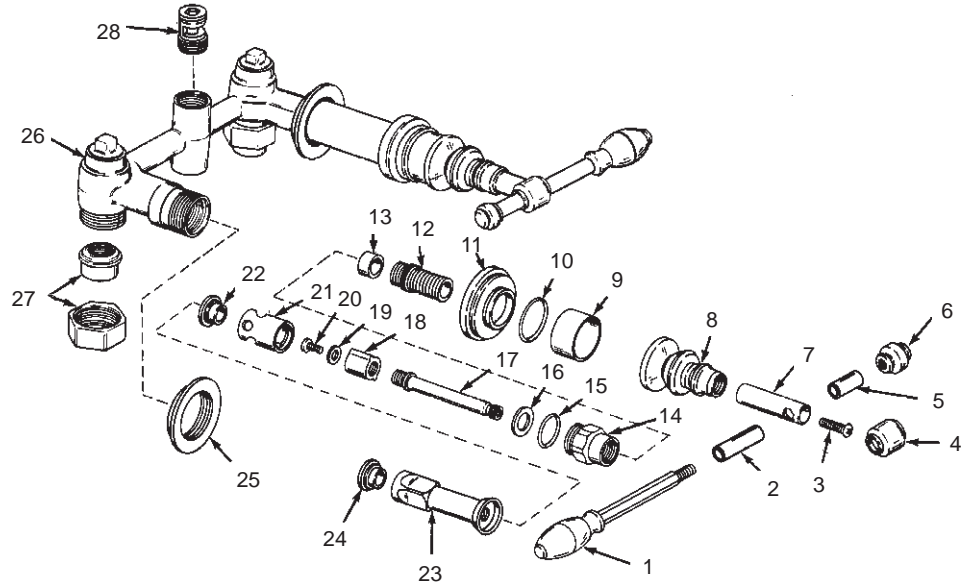


K-6804 IV GEORGES BRASS DECK-MOUNTED BATH AND SHOWER VALVE ASSEMBLY

ORDER BY KIT NUMBER OR PART NUMBER, NOT ITEM NUMBER OR KIT LETTER.

Ordering Options

| Item | Part No. or Kit |
|--------|--------------------|
| 1 | 36622‡ |
| 2 | 36640‡ |
| 3 | A |
| 4 | 36631‡ |
| 5 | 36639‡ |
| 6 | 36635‡ |
| 7 | 36651‡ |
| 8 | 36652‡ |
| 9 | 36638‡ |
| 10 | 41364 |
| 11 | 36650‡ |
| 12 | B or C |
| 13 | 32005*, B, C |
| 14 | B or C |
| 15, 16 | B or C, D |
| 17, 18 | B or C |
| 19, 20 | B or C, D |
| 21 | B or C |
| 22 | B or C, D |
| 23, 24 | E |
| 25 | F |
| 26 | ** |
| 27 | G or H |
| 28 | 20421 |



Kit Ordering Information

| Kit | Kit Part No. | Kit Name | Kit Contents |
|-----|--------------|---|-------------------------------------|
| A | 30097‡ | Screw | 2 ea., Item 3 |
| B | 30343‡ | Valve Replacement (Closes Clockwise) | 1 ea., Items 12 thru 22 |
| C | 30344‡ | Valve Replacement (Closes Counterclockwise) | 1 ea., Items 12 thru 22 |
| D | 30294* | Valve Rebuilding | 2 ea., Items 15, 16, 19, 20, and 22 |
| E | 30215 | Seat Extension S.A. | 2 ea., Items 23 and 24 |
| F | 30218 | Nut S.A. | 2 ea., Item 25 |
| G | 30204 | Union S.A. (1/2" I.P.) | 2 ea., Items 27 |
| H | 30203 | Union S.A. (5/8" O.D. Copper) | 2 ea., Items 27 |

KITS MAY INCLUDE EXTRA PARTS

NOTES:

- * Item 13, "Packing," must be ordered separately for rebuilding.
- ** Not available as a service part.

LEGEND:

- ‡ Specify Finish.