

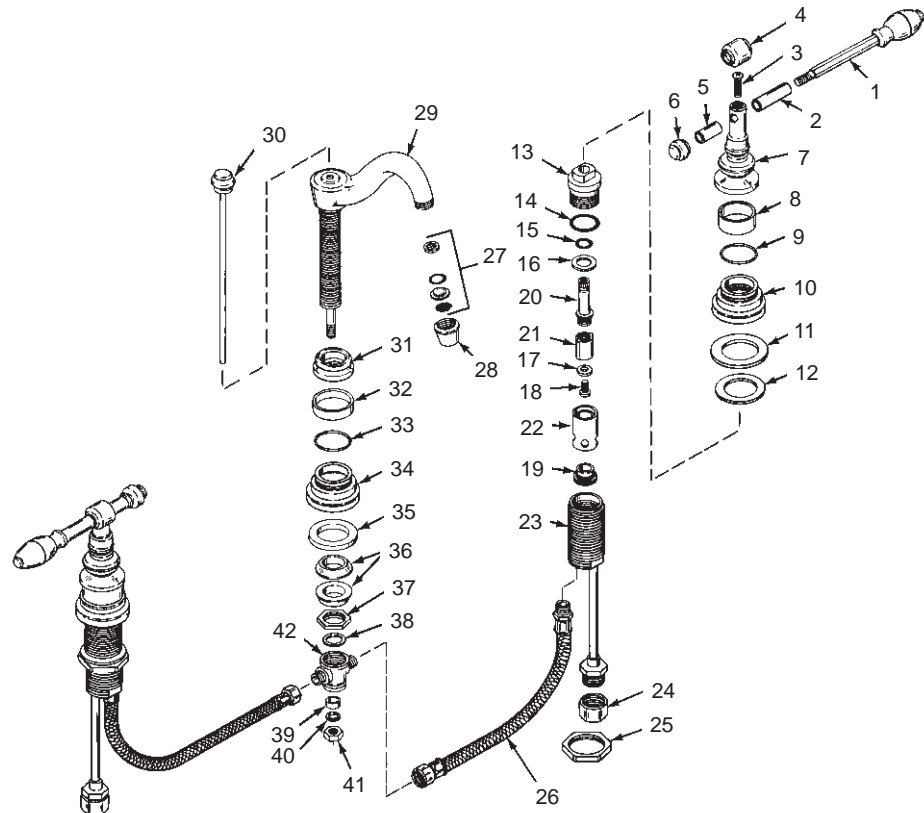
K-6811  
-F

IV GEORGES BRASS LAVATORY FITTING  
FLEXIBLE CONNECTIONS

ORDER BY KIT NUMBER OR PART NUMBER, NOT ITEM NUMBER OR KIT LETTER.

### Ordering Options

Item	Part No. or Kit
1	36622‡
2	36640‡
3	B
4	36631‡
5	36639‡
6	36635‡
7	36641‡
8	36638‡
9	41364
10	40054‡
11	36626
12	40001
13	40002
14, 15, 16, 17, 18	A, C or D
19, 20, 21, 22	C or D
23	40004
24, 25	E
26	F
27	30273
28	36687‡
29	H
30	36624‡
31	36627‡
32	36637‡
33	41364
34	40056‡
35	36626
36, 37, 38, 39, 40, 41	G
42	40031



### Kit Ordering Information

Kit	Kit Part No.	Kit Name
A	30294	Valve Rebuilding
B	30097‡	Screw
C	30128	Valve Replacement (Closes Clockwise)
D	30127	Valve Replacement (Closes Counterclockwise)
E	30332	Coupling Nut
F	30233	Flexible Hose
G	30274	Gasket
H	36623	Spout w/Aerator

### Kit Contents

2 ea., Items 14 thru 19
2 ea., Item 3
1 ea., Items 14 thru 22
1 ea., Items 14 thru 22
2 ea., Items 24 and 25
2 ea., Item 26
1 ea., Items 36 thru 41
1 ea., items 27 thru 29

### KITS MAY INCLUDE EXTRA PARTS

#### NOTES:

For pop-up drain see K-7701.

#### LEGEND:

‡ Specify Finish.