

# KOHLER® SERVICE PARTS

## LAVATORY FITTINGS

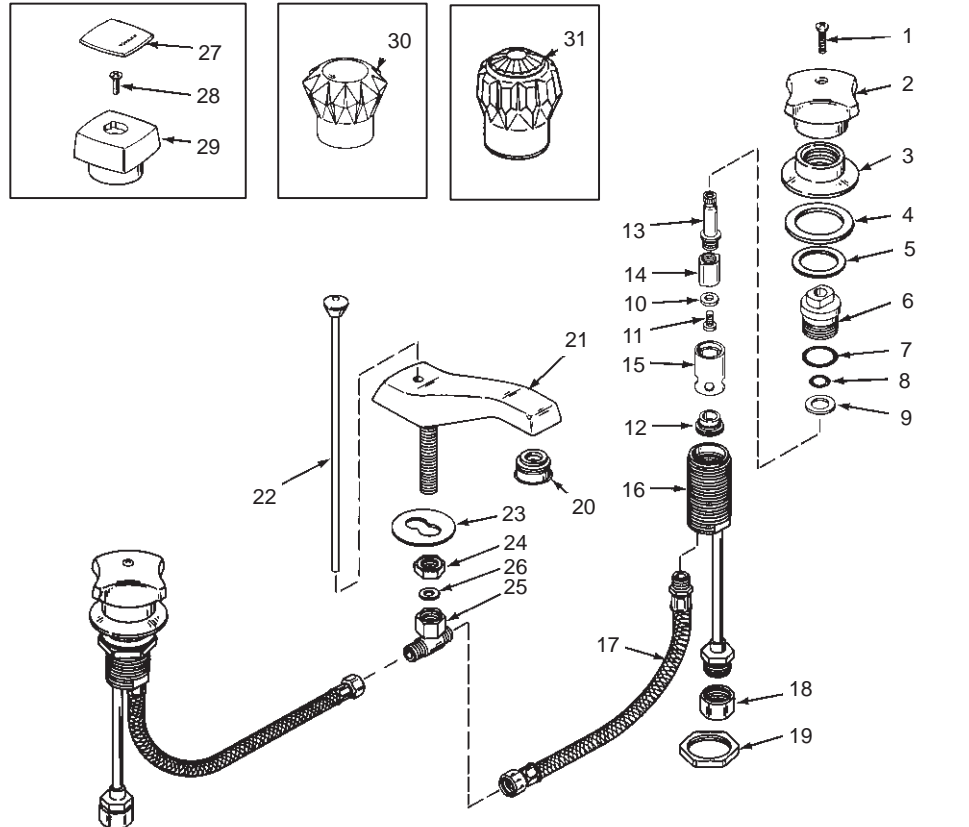
**K-6952-F** ALTERNA  
**K-7436-FL-F§** FLAIR  
**K-7436-DB-F** FLAIR II  
**K-7436-T-F** TRITON II

LAVATORY FITTING  
 LAVATORY FITTING  
 LAVATORY FITTING  
 LAVATORY FITTING

ORDER BY KIT NUMBER OR PART NUMBER, NOT ITEM NUMBER OR KIT LETTER.

### Ordering Options

Item	Part No. or Kit
1	I
2	J
3	K
4	34037
5	E
6	40002
7, 8, 9, 10, 11, 12	A, B
13, 14, 15	B or C
16	40004
17	D
18, 19	E
20	41007‡
21	40026‡
22	F or G
23, 24, 25, 26	H
27	L
28	M
29	29718‡
30, 31	C



### Kit Ordering Information

Kt	Kit Part No.	Kit Name
A	30294	Valve Rebuilding
B	30002	Valve Replacement
C	106299 §■	Flair, Flair II Handle Options
D	30233	Flexible Hose
E	30332	Attachment SA.
F	51196 ‡	Lift Rod (Triton II)
G	29701 ‡	Lift Rod (Alterna, Flair, Flair II)
H	40036	Tee Assembly
I	30097 ‡	Screw
J	30021 ‡	Triton II Handle
K	30077 ‡	Escutcheon
L	29747	Index Cap
M	30105	Screw

### Kit Contents

2 ea., Items 7 thru 12  
 1 ea., Items 7 thru 15  
 See INDEX.  
 2 ea., Item 17  
 2 ea., Items 5, 18, and 19  
 1 ea., Item 22  
 1 ea., Item 22  
 1 ea., Items 23 thru 26  
 2 ea., Item 1  
 1 ea. Hot, 1 ea. Cold; Item 2  
 2 ea., Item 3  
 4 pr. of 4 finishes; Item 27  
 2 ea., Item 28

### KITS MAY INCLUDE EXTRA PARTS

#### NOTES:

Other Product Numbers Using Same Parts  
 K-7437-T-F  
 K-7442-T-F  
 K-7444-T-F  
 For pop-up drain see K-7701.

#### LEGEND:

‡ Specify Finish.  
 § Reference Number Only.  
 ■ Parts further exploded in catalog; see INDEX.