

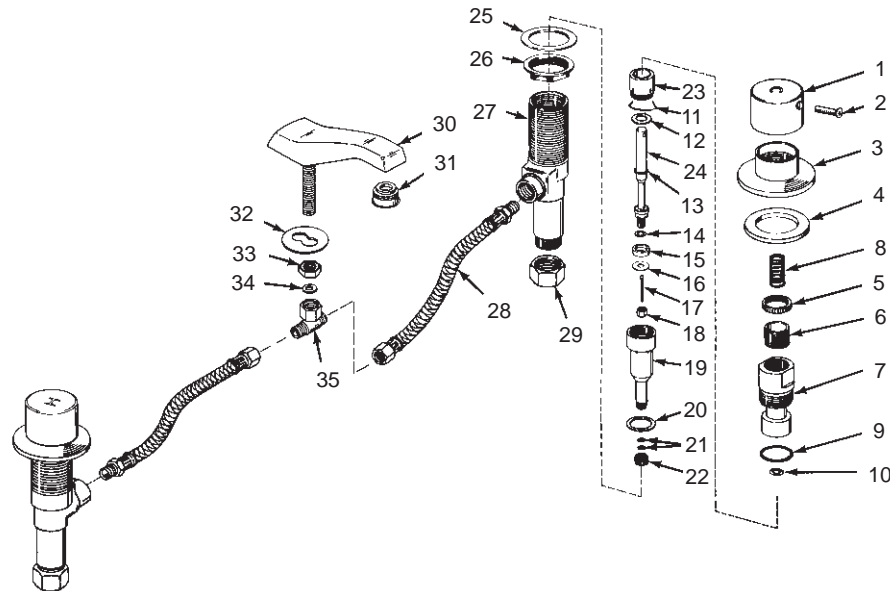
K-7491-F
K-7990-F

METERING LAVATORY FAUCET
METERING LAVATORY FAUCET WITH POP-UP DRAIN
(FLEXIBLE CONNECTORS)

ORDER BY KIT NUMBER OR PART NUMBER, NOT ITEM NUMBER OR KIT LETTER.

Ordering Options

| Item | Part No. or Kit |
|-------------------|--------------------|
| 1 | B |
| 2 | C |
| 3 | D |
| 4 | 35715 |
| 5, 6, 7 | E |
| 8, 9, 10, 11, 12, | A |
| 13, 14, 15, 16, | A |
| 17, 18, 19, 20, | A |
| 21, 22 | A |
| 23, 24 | F |
| 25, 26 | G |
| 27 | 40062 |
| 28 | H |
| 29 | I |
| 30 | J or K |
| 31 | 41061‡, J or K |
| 32, 33, 34, 35 | L |



Kit Ordering Information

| Kit | Kit Part No. | Kit Name |
|-----|--------------|-------------------------------|
| A | 30129 | Valve Rebuilding |
| B | 30031‡ | Push Knobs |
| C | 30115 | Screw |
| D | 30089‡ | Escutcheon |
| E | 30130 | Bonnet |
| F | 30131 | Barrel and Stem |
| G | 30240 | Attachment S.A. |
| H | 30233 | Hose |
| I | 30230 | Coupling Nut |
| J | 40038‡ | Spout with Aerator |
| K | 40033‡ | Spout with Aerator for Pop-Up |
| L | 40036 | Tee S.A. |

Kit Contents

1 ea., Items 8 thru 22
1 ea. Hot, 1 ea. Cold; Item 1
2 ea., Item 2
2 ea., Item 3
1 ea., Items 5, 6, and 7
1 ea., Items 23 and 24
2 ea., Items 25 and 26
2 ea., Item 28
2 ea., Item 29
1 ea., Items 30 and 31
1 ea., Items 30 and 31
1 ea., Items 32 thru 35

KITS MAY INCLUDE EXTRA PARTS

NOTES:

For pop-up drain, see K-7701.

LEGEND:

‡ Specify Finish.