

KOHLER® SERVICE PARTS

SINK FITTINGS

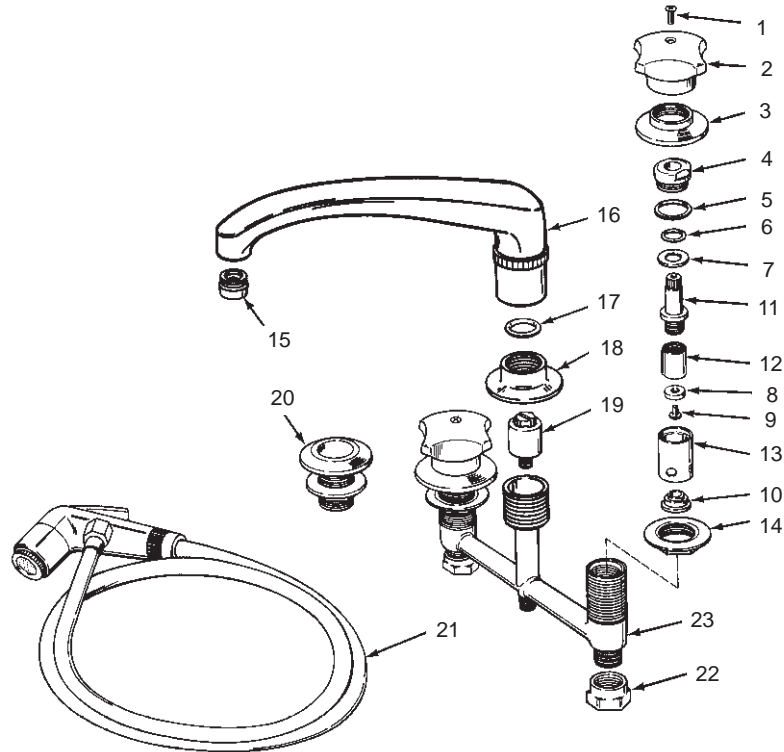
K-7765-TR TRITON II
K-7761-TR TRITON II

CONCEALED SINK FITTING
CONCEALED SINK FITTING (LESS HOSE AND SPRAY)

ORDER BY KIT NUMBER OR PART NUMBER, NOT ITEM NUMBER OR KIT LETTER.

Ordering Options

Item	Part No. or Kit
1	B
2	C
3	D
4	20475
5, 6, 7, 8, 9, 10	A, E
11, 12, 13	E
14	F
15	41056‡, G
16	G
17	G, H
18	38831‡, H
19	H
20	34329‡
21	38613‡
22	I
23	*



Kit Ordering Information

Kit	Kit Part No.	Kit Name
A	30294	Valve Rebuilding
B	30097‡	Screw
C	30059‡	Triton II Handle
D	30083‡	Escutcheon
E	30002	Valve Replacement
F	30234	Attachment S.A.
G	38824‡	Spout S.A.
H	39931	Diverter Assembly
I	30230	Coupling Nut

Kit Contents

2 ea., Items 5 thru 10
2 ea., Item 1
2 ea., Item 2
2 ea., Item 3
1 ea., Items 5 thru 13
2 ea., Item 14
1 ea., Items 15, 16, and 17
1 ea., Items 17, 18, and 19
2 ea., Item 22

KITS MAY INCLUDE EXTRA PARTS

NOTES:

* Not available as a service part.

LEGEND:

‡ Specify Finish.