

KOHLER® SERVICE PARTS

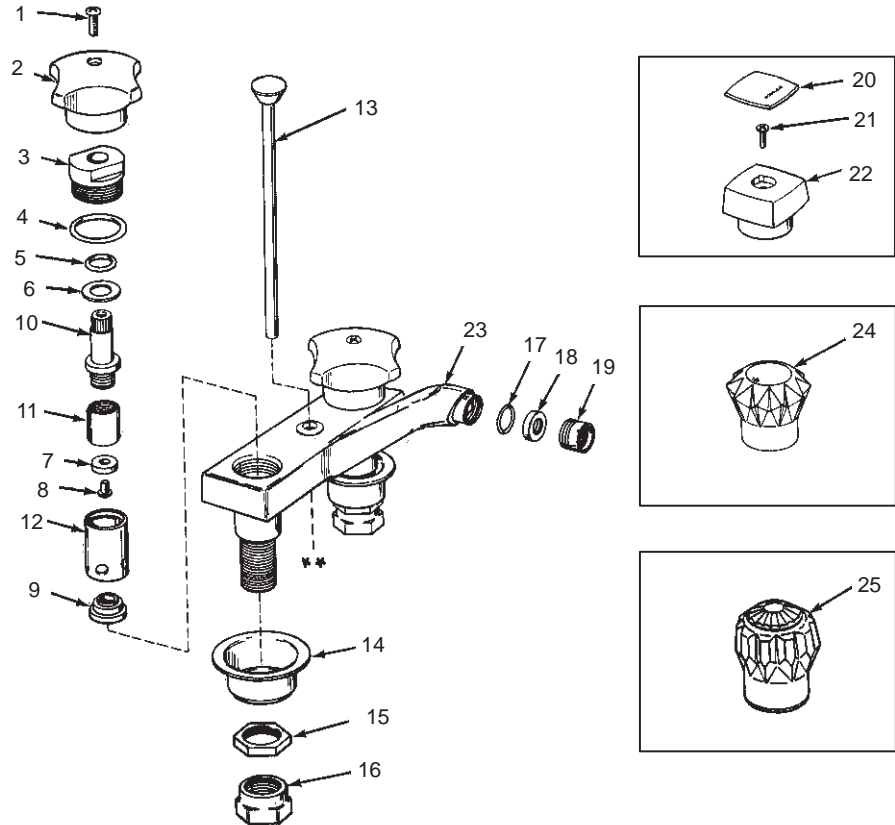
TOILET AND BIDET FITTINGS

K-9299§	ALTERNA	BIDET FITTING
K-9279§	TRITON II	BIDET FITTING
K-9279-DB§	FLAIR II	BIDET FITTING
K-9279-FL§	FLAIR	BIDET FITTING

ORDER BY KIT NUMBER OR PART NUMBER, NOT ITEM NUMBER OR KIT LETTER.

Ordering Options

Item	Part No. or Kit
1	B
2	C
3	34260‡
4, 5, 6, 7, 8, 9	A, D
10, 11, 12	D
13	E or F
14, 15	G
16	G or K
17	42160
18	21174
19	30072‡
20	H
21	I
22	29717‡
23	*
24, 25	J



Kit Ordering Information

Kit	Kit Part No.	Kit Name	Kit Contents
A	30294	Valve Repair Kit	2 ea., Items 4 thru 9
B	30097 ‡	Screw Kit	2 ea., Item 1
C	30024 ‡	Triton II Handles	1 ea. Hot, 1 ea. Cold; Item 2
D	30002	Valve Unit	1 ea., Items 4 thru 12
E	51196 ‡	Lift Rod (Triton, Flair)	1 ea., Item 13
F	29701 ‡	Lift Rod (Alterna)	1 ea., Item 13
G	30227 ‡	Mounting Hardware Kit	2 ea., Items 14, 15 and 16
H	30633 ‡	Index Cap Kit	2 ea., Item 20
I	30105 ‡	Screw Kit	2 ea., Item 21
J	106299 §■	Flair, Flair II Handle Options	See INDEX.
K	30230 ‡	Coupling Nut Kit	2 ea., Item 16

KITS MAY INCLUDE EXTRA PARTS

NOTES:

- * Not available as a service part.
- ** For pop-up drain, see K-7701.

LEGEND:

- ‡ Specify Finish.
- § Reference Number Only.
- Parts further exploded in catalog; see INDEX.