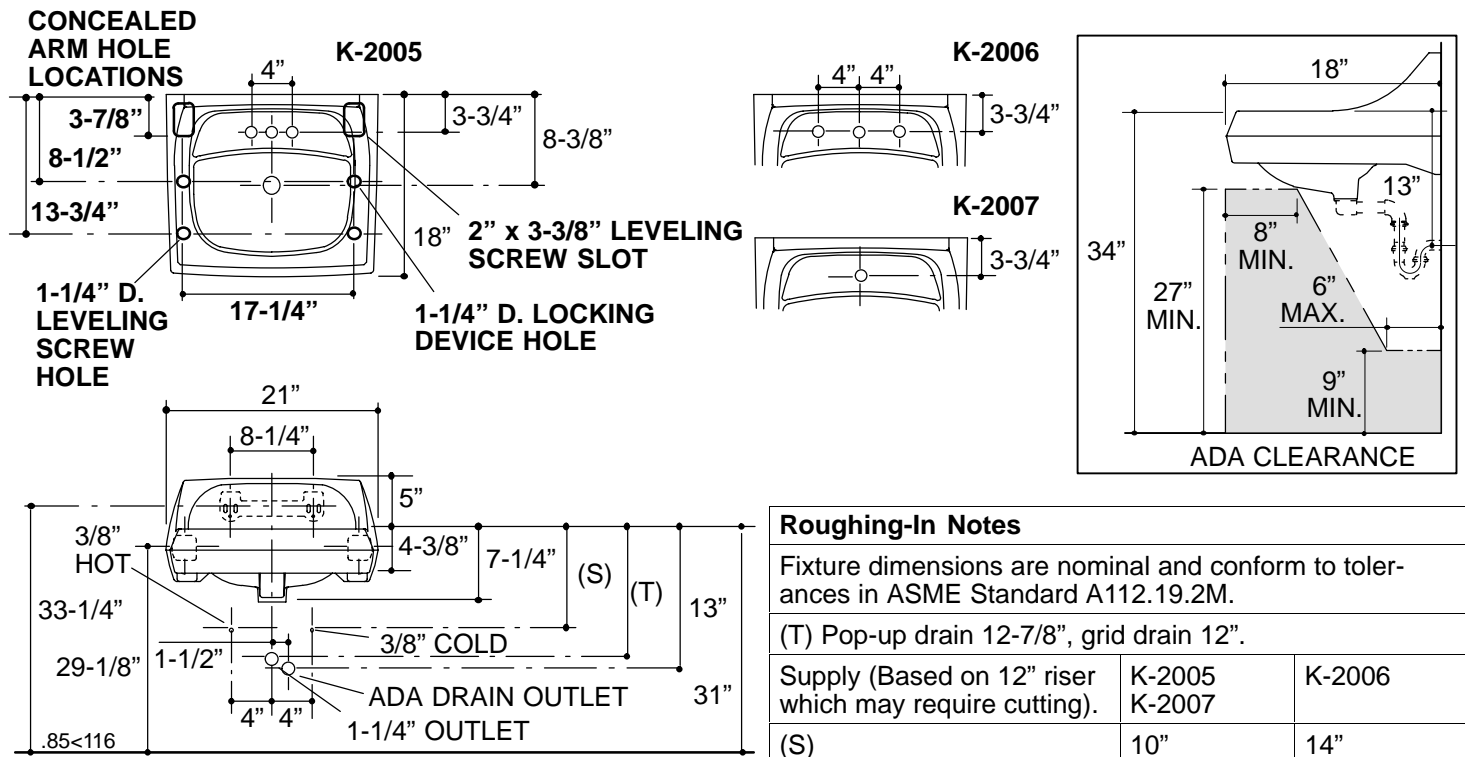


Ordering Information

Applicable product:		
4" centers lavatory	K-2005	shown
8" centers lavatory	K-2006	not shown
Single-hole lavatory	K-2007	not shown
Accessories/hardware:		
Trap	K-8998	optional
Drain	K-13885	optional

Product Information

ADA compliant when installed with K-13885 offset drain.			
Fixture*:		basin area	water depth
Lavatory		16" x 10"	3-3/4"
Outlet	1-3/4" D.		
* Approximate measurements for comparison only.			
Holes	K-2005	K-2006	K-2007
Spout	1-3/16" D.	1-3/16" D.	1-3/8" D.
Faucet	1-3/16" D.	1-3/8" D.	
Included Components:			
Hanger			64839
Supplied hanger not used with concealed arm carrier.			



Roughing-In Notes

Fixture dimensions are nominal and conform to tolerances in ASME Standard A112.19.2M.

(T) Pop-up drain 12-7/8", grid drain 12".

Supply (Based on 12" riser which may require cutting).	K-2005 K-2007	K-2006
(S)	10"	14"