

Ordering Information

Accessories/hardware:		
Faucet trim kit		required
Grip rail kit	K-9596	required
Vinyl tiling-in bead*	K-1179	optional

*Use K-1179 vinyl bead when wall material contacts any top surface of bath.

Product Information

Fixture*:	basin area	top area	weight
Bathing well	41" x 29"	56" x 36"	90 lbs.
	water depth	capacity	
To overflow	15"	85 gal.	

* Approximate measurements for comparison only.

Installation Notes

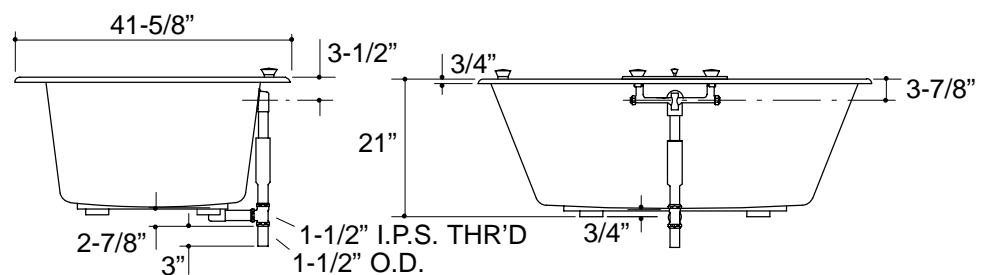
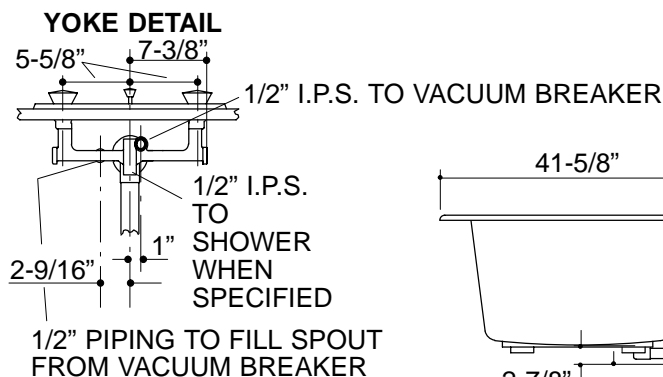
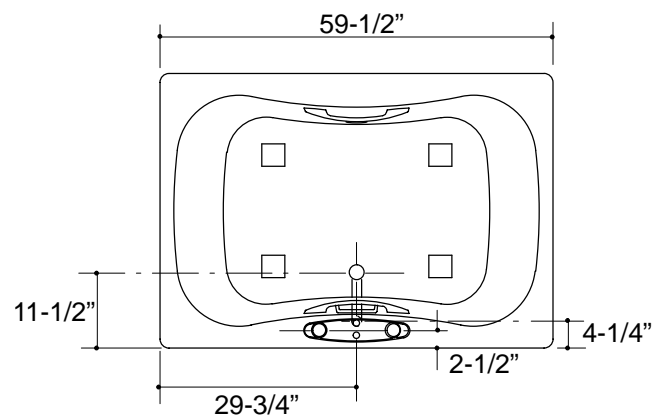
Refer to installation instructions included with fixture before beginning installation.

Roughing-In Notes

Fixture dimensions are nominal and conform to tolerances in ANSI Standard Z124.1.

No change in measurements if connected with drain illustrated.

Cut-out 58" x 40"



1.15>132