

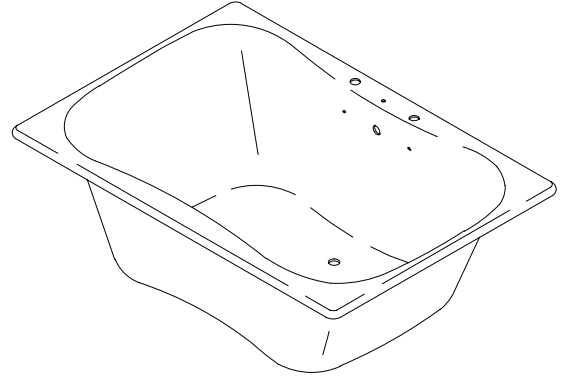
### FEATURES

- 59-1/2" x 41-5/8" x 21"
- Acrylic
- Drilled for K-9596 grip rails (required)
- LESS ALL TRIM

### CODES/STANDARDS APPLICABLE

Specified model meets or exceeds the following:

- ANSI Z124.1
- IAPMO/UPC
- Canadian Standards Association (CSA)
- State of Massachusetts
- Dade County, Florida



### COLORS/FINISHES

- 0 White
- Other Refer to Fixtures Price Book for additional colors

#### Accessories:

- CP Polished Chrome
- PB Polished Brass
- Other Refer to Faucets Price Book for additional finishes
- NA None Applicable

### SPECIFIED MODEL:

Model	Description	Colors/Finishes		
		<input type="checkbox"/> 0 White	<input type="checkbox"/> Other_____	
K-1480	Bath	<input type="checkbox"/> 0 White	<input type="checkbox"/> Other_____	
<b>Required Accessories</b>				
K-9589	Flair™ faucet trim kit (with drain) <b>OR</b>	<input type="checkbox"/> CP	<input type="checkbox"/> PB	<input type="checkbox"/> Other_____
K-9599	Alterna™ faucet trim kit (with drain)	<input type="checkbox"/> CP	<input type="checkbox"/> PB	<input type="checkbox"/> Other_____
K-9596	Grip rails (pair)	<input type="checkbox"/> CP	<input type="checkbox"/> PB	<input type="checkbox"/> Other_____
<b>Optional Accessories</b>				
K-1179	Vinyl tiling-in bead (use when wall material contacts any top surface of bath)	<input type="checkbox"/> NA		

### PRODUCT SPECIFICATION:

The bath shall be 59-1/2" in length, 41-5/8" in width, and 21" in height. Bath shall be made of acrylic. Bath shall be drilled for K-9596 grip rails (required). Bath shall be less all trim. Bath shall be Kohler Model K-1480-\_\_\_\_\_.

# INFINITY<sup>∞</sup> BATH™

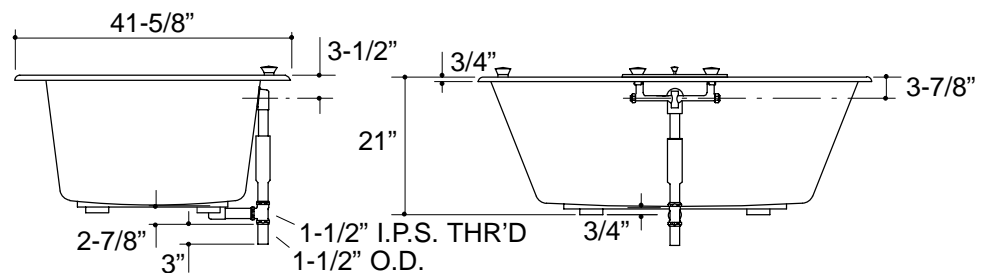
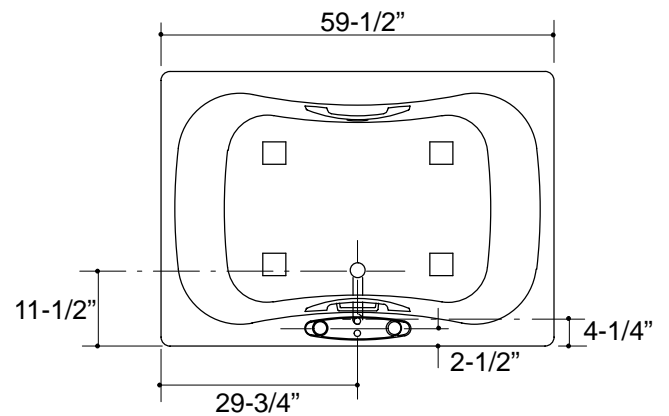
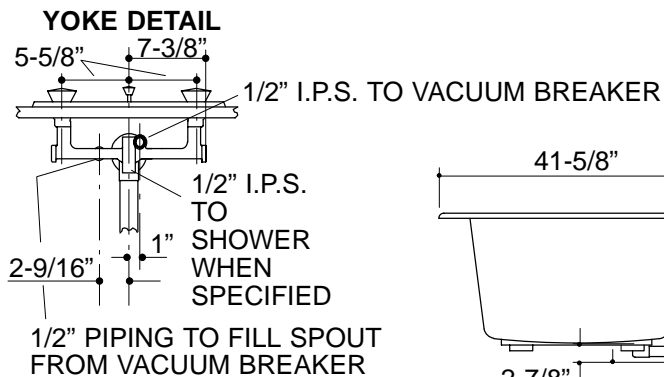
## PRODUCT INFORMATION

Fixture*:	basin area	top area	weight
Bathing well	41" x 29"	56" x 36"	90 lbs.
	water depth	capacity	
To overflow	15"	85 gal.	
* Approximate measurements for comparison only.			

### Roughing-In Notes

No change in measurements if connected with drain illustrated.

Cut-out	58" x 40"
---------	-----------



1.15>132

## PRODUCT DIAGRAM