

Ordering Information

Accessories/hardware:		
Drain	K-7161-AF	recommended
Apron	K-1279	optional
Vinyl tiling-in bead*	K-1177	optional

*Use K-1177 vinyl bead when wall material contacts any top surface of bath.

Product Information

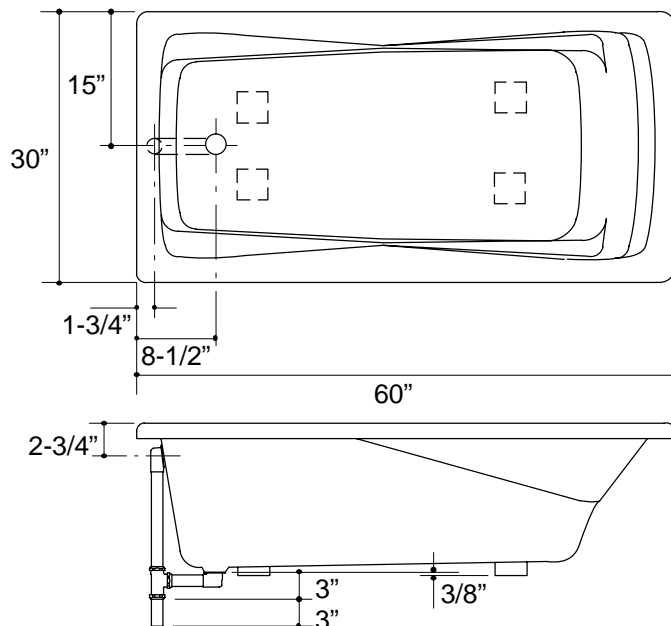
Fixture*:	basin area	top area	weight
Bathing well	42" x 17"	55" x 25"	60 lbs.
	water depth	capacity	
To overflow	12-1/8"	50 gal.	

* Approximate measurements for comparison only.

Installation Notes

Refer to installation instructions included with fixture before beginning installation.

The apron must be installed before the finish floor and wall materials are installed.



Roughing-In Notes

Fixture conforms to ANSI Standard Z124.1. All dimensions are nominal.

No change in measurements if connected with drain illustrated.

Cut-out	58-1/2" x 28-1/2"
---------	-------------------

