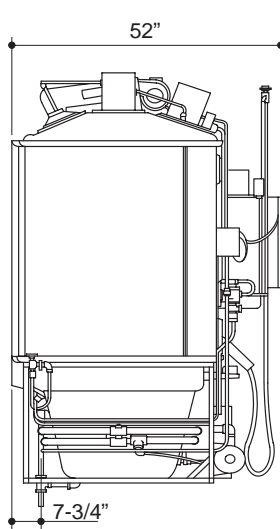
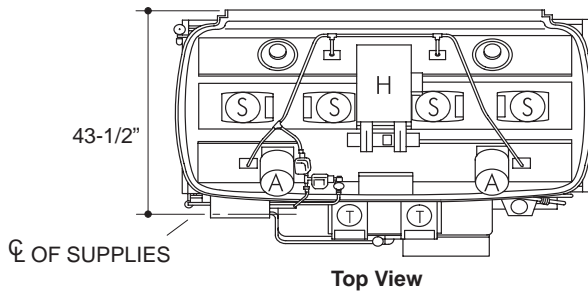
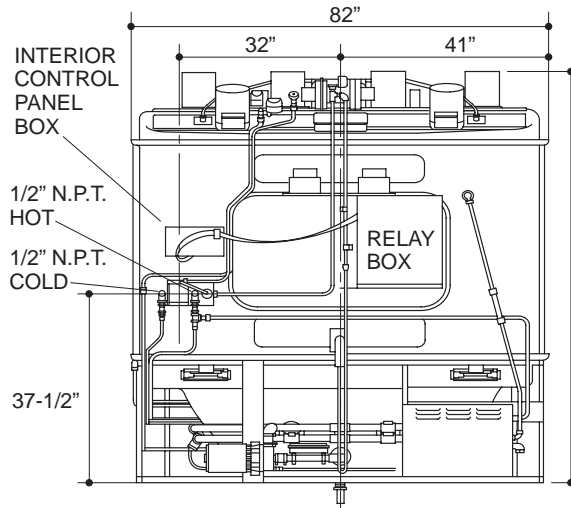


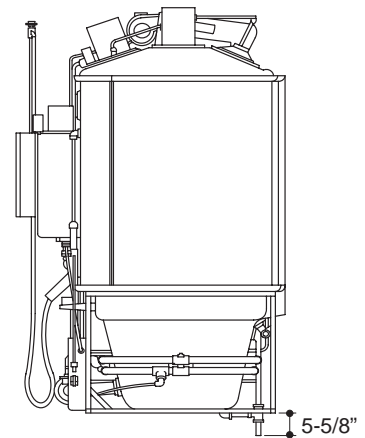
NOTE: On Top View,
A = Ambience Light
S = Sunlamp
H = Sauna Heater
T = Towel Lamp



Right Side View



Back View



Left Side View

SPECIFICATIONS

UNIT SIZE (Assembled)

Height	91" (2311mm)
Width	82" (2083 mm)
Depth	52" (1321 mm)
Habitat Masterbath Weight	700 lbs. (317 kg)
Environment Masterbath Weight	800 lbs. (362 kg)
Water depth to overflow	15" (381 mm)
Capacity to overflow	73 gal. (276 litres)

RECESS

Height	96" (2438 mm) minimum (Includes 5" (127 mm) minimum access for relamping sunlamps)
Width	106" (2692 mm)
Depth	94" (2388 mm) (Includes 42" (1067 mm) working space in front of relay box required by the National Electric Code.)

MATERIALS

Metal Frame	Welded steel tubing
Walls, Top and Whirlpool Bath	Acrylic reinforced with fiberglass
Deck	Cypress
Doors	Tempered safety glass
Cabinet Doors	Acrylic
Fascia Panel	FRP (Gelcoat)

PLUMBING REQUIREMENTS

Supplies	1/2" hot and cold
Drain	1-1/2"
Water Control	(1) Thermostatic mixer. Temperature range 60°F. (16° C.) to 115° F., (46° C.), 7.5 gpm (28.38 liters per min.)

IF WATER PRESSURE EXCEEDS 55 P.S.I., PRESSURE REGULATION IS REQUIRED FOR PROPER MOTORIZED VALVE OPERATION AND IDEAL "SHOWER" CYCLE CONDITION.

ELECTRICAL REQUIREMENTS

Services	(1) 120/240 V., 15A, 60 Hz, 3 wire & ground
	(1) 240V, 30A, 60 Hz, 2 wire & ground

TWO SERVICE CIRCUIT BREAKERS HAVING A TYPE GROUND FAULT CIRCUIT INTERRUPTER (GFCI) ARE REQUIRED.

ELECTRICAL SPECIFICATIONS

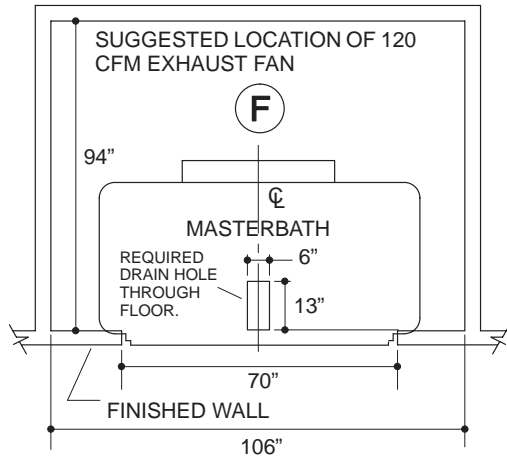
Sunlamps	(4) RSM-275 watt, mogul-base reflector sunlamps in ... recess fixtures with quartz lenses to withstand thermal shock ... during operation, NEVER SUBSTITUTE LENSES.
Ambience Lights	(2) 250 watt infrared reflector lamps in recess ... fixtures to withstand thermal shock during operation. ... NEVER SUBSTITUTE LENSES.
Towel Lights	(2) General Electric 50 watt ... R-20 PK. pink reflector lamps.
Heater/Fan	(1) 3000 watt., 70 c.f.m. air recirculating fan
Steam Generator	(1) 240 V., 16.6 amp.
Control System	120 V., 0.2 amp., 50/60 Hz., w/integral lighting ... protection from line to neutral meeting ... IEEE standard 587-1980 category for surge protection.
Whirlpool Pump	3/4 hp., 120 V., 60 Hz., 3450 rpm, 1 phase, 10 amp.
Speakers	8 ohm., 10 watt maximum.

All information in these instruction is based on the latest product information available at the time of publication. Kohler Co. reserves the right to make changes in product characteristics, packaging, or availability at any time without notice.

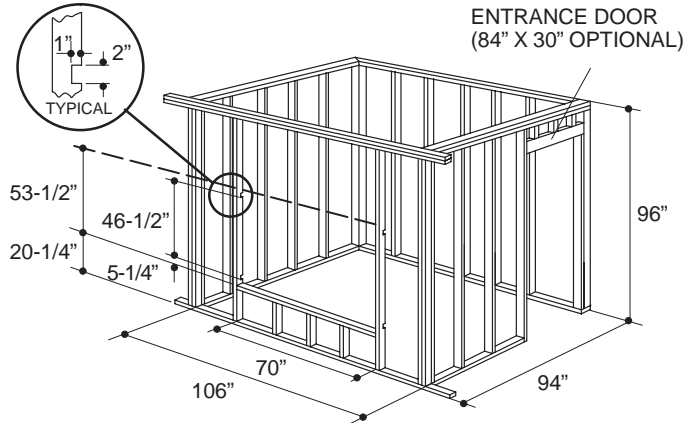
K-55, K-65 Masterbath™ Series Cont.

(Access must be provided)

RECESS DIMENSIONS



FRAMING DIMENSIONS



After unit is Installed and Tested, Construct Front Wall.

NOTES

- Local and state building, plumbing, and electrical codes must be observed. Electrical connections should be made by a licensed electrician.
 - Unit must be protected from the elements and care should be taken to protect the unit from possible damage during construction.
 - The unassembled MasterBath will fit through most standard door openings.
 - The variety of installation and construction techniques possible with this unit may require framing procedures other than those described in these instructions.
 - To prevent possible moisture damage, the floor inside the recess must be sealed with a water resistant sealer.
 - Access must be provided to the back of the unit for maintenance and in the event service is required.** Provide an entrance door to the back recess area. A standard 84 x 30" opening should be constructed to either side or at the back of the recess.
 - If unit is to be installed adjacent to exterior walls, heat, and wall insulation should be considered for the rough opening.
 - Assembly is made with conventional fastening devices supplied with unit.
 - An exhaust fan with a minimum of 120 C.F.M. and an air inlet is recommended to remove heat and moisture from the recess.** Suggested location for fan switch is next to Master Power Relay Switch (Step #13) **Exhaust fan must be on when the MasterBath is operating.** Another exhaust fan is also suggested in the room from which the MasterBath is entered. **Exhaust fans must be connected on a separate electrical circuit.**
 - The MasterBath is completely plumbed, wired, and tested before shipping. The plumbing connections are 1/2" hot and cold supplies to the mixer, and 1-1/2" drain to be made at the time of installation. **If water pressure exceeds 55 P.S.I., pressure regulation is required for proper solenoid valve operation and ideal "shower" cycle condition.**
 - End of tailpiece will protrude 5-5/8" below floorline.**
 - A routine electrical connection to the relay box (as mentioned earlier) separate circuit is required. Routine hard wire connections complete the electrical assembly of the unit. **All installations must be protected with circuit breakers having a Class A type ground fault circuit interrupter (GFCI) which will provide additional protection against line-to-ground shock hazard.**
 - A wall switch is provided as a Master Power Relay Switch for the unit. **Switch shall be located in room from which MasterBath is entered and located out of the reach of the user when in the bath.**
 - If a stereo is to be used with the MasterBath speakers, it must be installed out of reach of the user while in the unit.
 - The welded steel tubing support frame makes the MasterBath self-supporting. If the unit cannot rest directly on sub-floor, it may be raised to the desired level by use of adjustable piping, blocking, etc., under which additional support must be provided. The support must be adequate to hold a minimum of 2500 pounds (1133 kg).
 - When using accessories other than those specified or normally supplied, contact the supplier for installation instructions.
- DO NOT RELOCATE THE COMPONENTS OF THIS ENVIRONMENTAL ENCLOSURE OR MAKE ANY MODIFICATIONS, AS THIS COULD ADVERSELY AFFECT THE PERFORMANCE AND SAFE OPERATION. KOHLER CO. SHALL NOT BE LIABLE UNDER ITS WARRANTY OR OTHERWISE FOR PERSONAL INJURY OR DAMAGE CAUSED BY ANY SUCH UNAUTHORIZED MODIFICATION.**
- These specifications and initial information are not to be used for installation and/or assembly of the MasterBath. Refer to the installation instructions included with the MasterBath. If you have any additional questions about the installation or assembly of the MasterBath, please call (920) 457-4441 or write to Kohler Company, Kohler WI 53044.**