

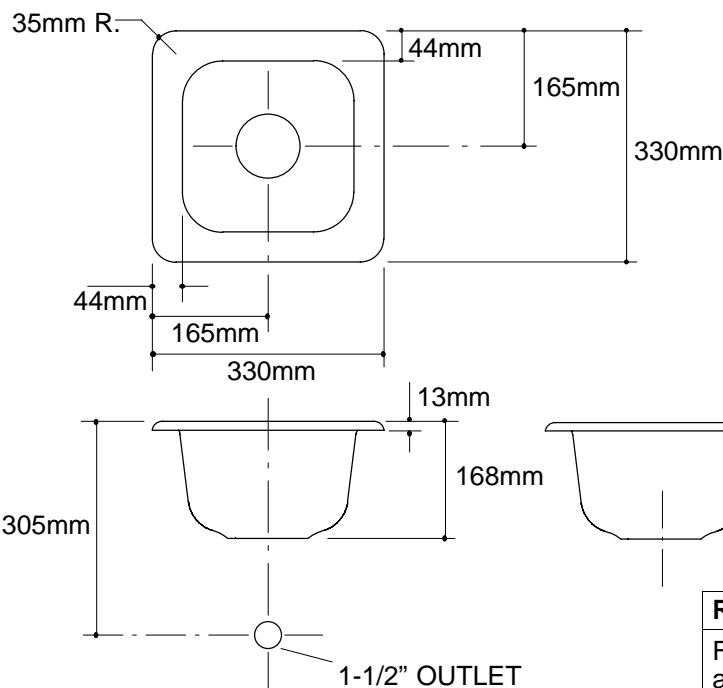
Product Information

Fixture*:		basin area	water depth
Sink		254 x 254mm	152mm
Outlet	Ø92mm		

* Approximate measurements for comparison only.

Installation Notes

Refer to installation instructions included with fixture before beginning installation.



Roughing-In Notes	
Fixture dimensions are nominal and conform to tolerances in ASME/ANSI Standard A112.19.1M.	
Cutout	298 x 298mm with 25mm radius corners.