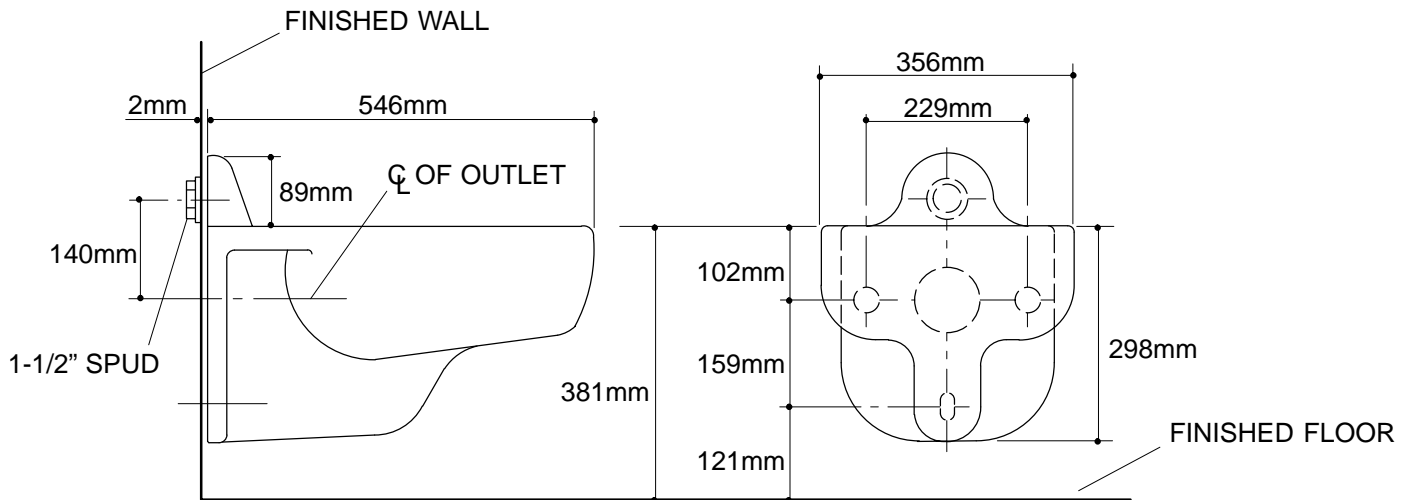


**Product Information**

ADA compliant.	
Fixture:	
Configuration	Rear spud with integral seat, elongated
Litres per flush	13 litres*
Spud size	1-1/2"
Passageway	67mm
Water depth from rim	137mm
Minimum running pressure required	25 p.s.i.
* Designed to flush with 13 litres of water when installed with a 13 lpf valve.	
Included Components:	
Spud	18357
Flush valve requirements: Refer to manufacturer and local codes.	



**Roughing-In Notes**  
Fixture dimensions are nominal and conform to tolerances in ASME Standard A112.19.2M.

1.25>116

**K-4475-C** Suffield™ Toilet  
105829-1M-AA (9631)