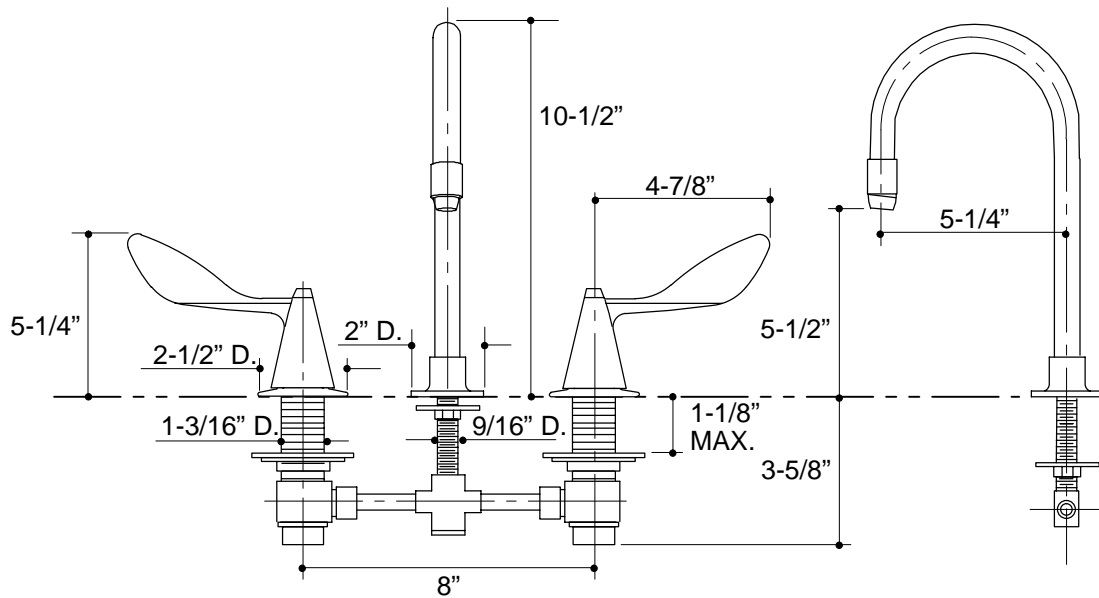


Ordering Information

Applicable product:	
Widespread lavatory faucet, less drain	K-13328-5
ADA	Wristblade handles are ADA compliant



316

K-13328-5 Finesse™ Lavatory Faucet
105838-1-AA (9619)

NOTES: