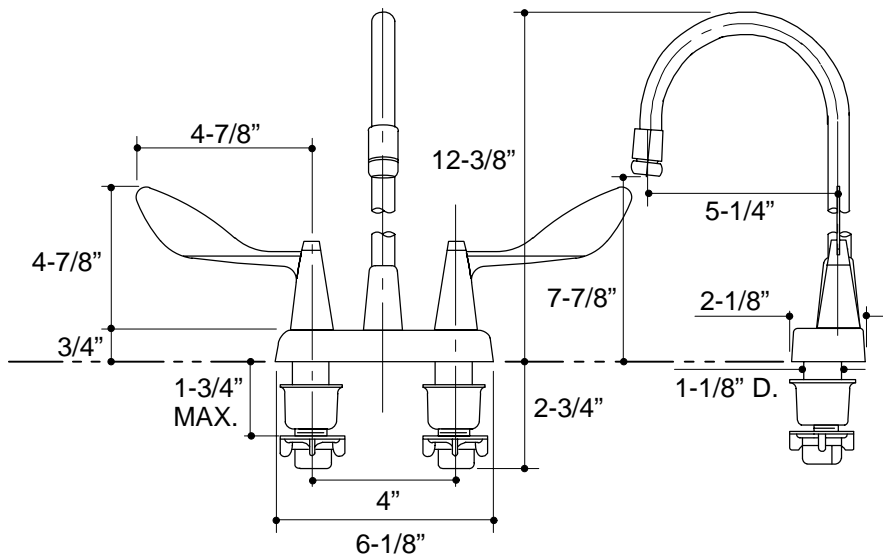


**Ordering Information**

Applicable product:	
Centerset lavatory faucet	K-13335-5
<b>ADA</b> Wristblade handles are ADA compliant	



316

**K-13335-5** Finesse™ Faucet  
 105843-1-AA (9619)

**NOTES:**