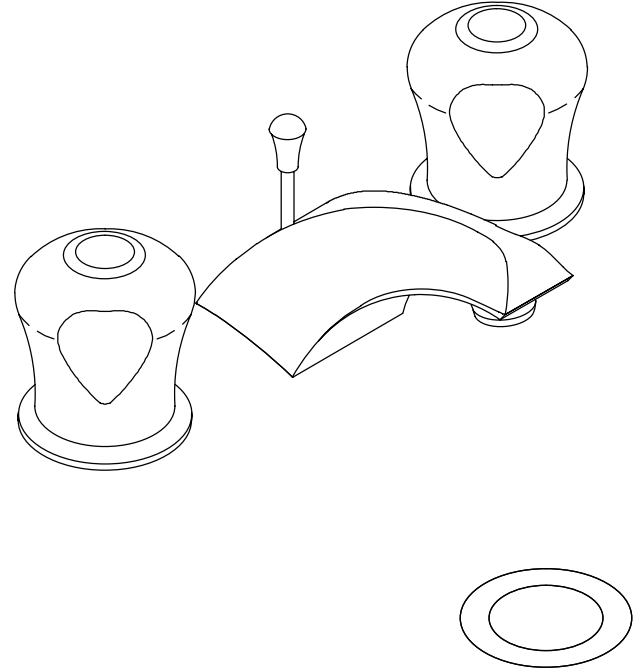


**LAVATORY FAUCET  
K-15261**

**FEATURES**

- Metal construction
- Flexible connections
- Reversible quarter-turn washerless ceramic disc valves
- 3-3/4" spout
- Metal throatplate
- 2.0 gallons per minute
- Pop-up drain with lift rod and tailpiece
- Sculptured acrylic handles
- Optional ground joint connections



**CODES/STANDARDS APPLICABLE**

Specified model meets or exceeds the following:

- ASME/ANSI A112.18.1M
- CSA B125
- Energy Policy Act of 1992
- IAPMO/UPC
- NSF 61

**COLORS/FINISHES**

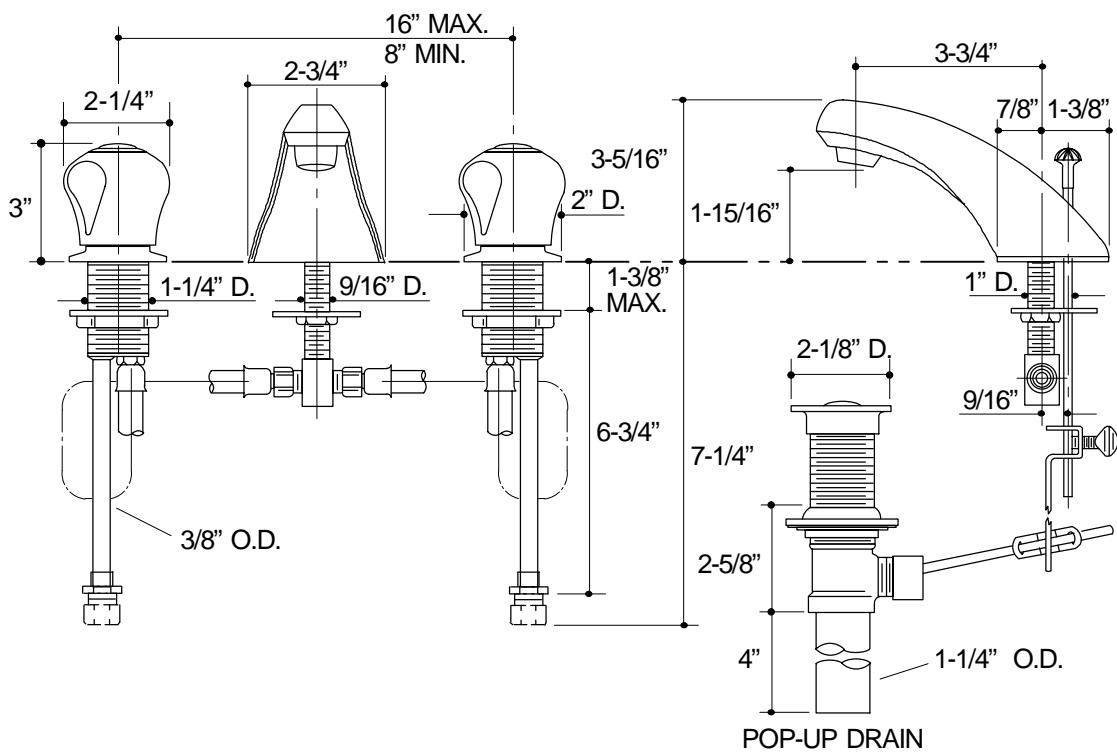
- CP Polished Chrome
- PB Polished Brass
- Other Refer to Faucets Price Book for additional finishes

**SPECIFIED MODEL:**

Model	Description			
K-15261	Less Ground Joint Connections	<input type="checkbox"/> CP	<input type="checkbox"/> PB	
K-15261-P	With Ground Joint Connections	<input type="checkbox"/> CP	<input type="checkbox"/> PB	<input type="checkbox"/> Other_____

**PRODUCT SPECIFICATION:**

Two-handle widespread lavatory faucet shall be of metal construction. Faucet shall feature reversible quarter-turn washerless ceramic disc valves, assuring positive handle stop positioning. Product shall include flexible connections, 3-3/4" spout, pop-up drain with lift rod and tailpiece, and sculptured acrylic handles. Optional feature shall be with or without ground joint connections. Faucet shall be Kohler Model K-15261-\_\_\_\_\_-\_\_\_\_\_.



## PRODUCT DIAGRAM