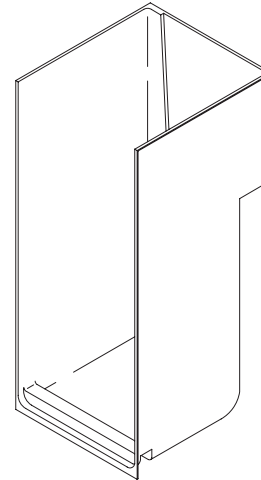


FEATURES

- 32" x 36-1/4" x 75-1/2"
- Fiberglass (FRP)
- Integral soap ledge



CODES/STANDARDS APPLICABLE

Specified model meets or exceeds the following:

- ANSI Z124.2
- Canadian Standards Association (CSA)

COLORS/FINISHES

- 0 White
- Other Refer to Fixtures Price Book for additional colors

Accessories:

- 0 White
- CP Polished Chrome
- PB Polished Brass
- SH Bright Silver
- BH Bright Brass
- Other Refer to Faucets Price Book for additional finishes

SPECIFIED MODEL:

Model	Description	Colors/Finishes	
K-1592	Shower module	<input type="checkbox"/> 0 White	<input type="checkbox"/> Other _____

Recommended Accessories				
K-9132	Drain	<input type="checkbox"/> CP	<input type="checkbox"/> PB	<input type="checkbox"/> Other _____
K-705014	Arica™ pivot shower door* OR	<input type="checkbox"/> SH	<input type="checkbox"/> BH	<input type="checkbox"/> 0 White
K-705024	Arica™ pivot shower door* OR	<input type="checkbox"/> SH	<input type="checkbox"/> BH	<input type="checkbox"/> 0 White
K-701215	Focal pivot shower door*	<input type="checkbox"/> SH	<input type="checkbox"/> BH	<input type="checkbox"/> 0 White

* Refer to Fixtures Price Book for glass options.

PRODUCT SPECIFICATION:

The one-piece seamless shower module shall be 32" in length, 36-3/4" in width, and 75-1/2" in height. Shower module shall be made of fiberglass (FRP). Shower module shall have integral soap ledge. Shower module shall be Kohler Model K-1592-_____.

PRODUCT INFORMATION

Fixture:	
Weight	104 lbs.
Configuration	1-piece
Drain Outlet	3-3/8" D.

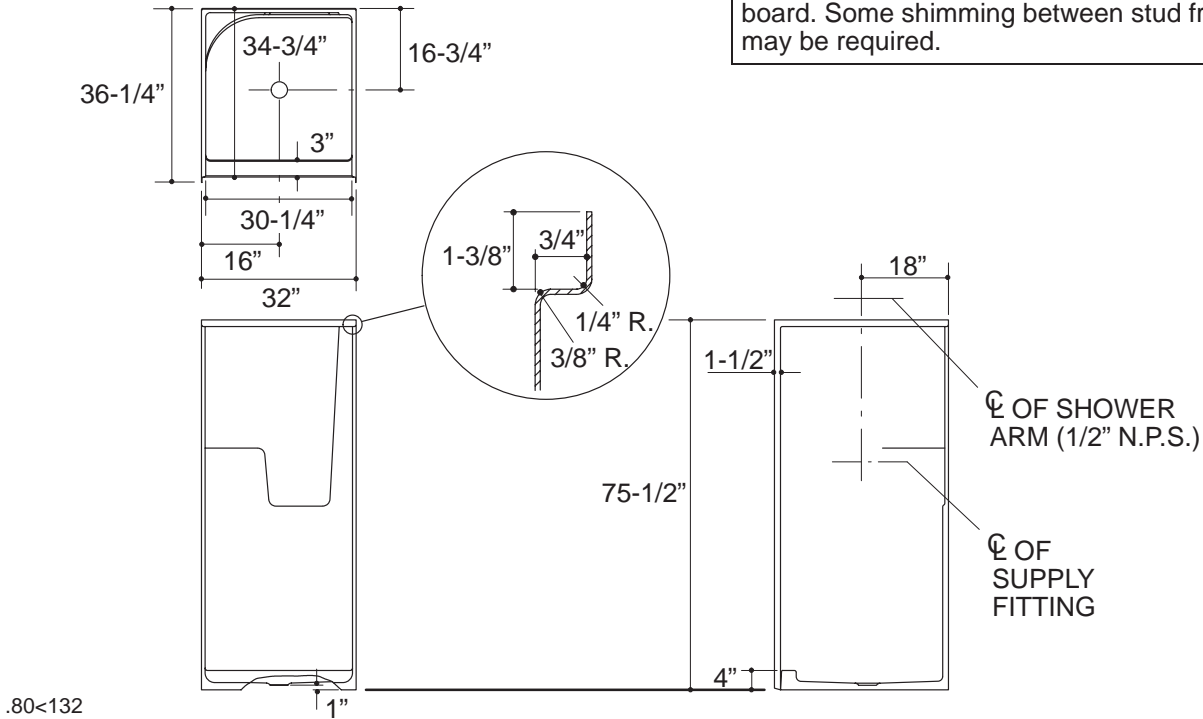
INSTALLATION NOTES

Fixture not drilled for supply fittings.

Shimming may be required to level fixture.

ROUGHING-IN NOTES

Stud opening tolerance (+ 1/4" – 0"). When fire rated wall is specified, dimensions are to the inside of the wall board. Some shimming between stud frame and fixture may be required.



PRODUCT DIAGRAM