

Ordering Information

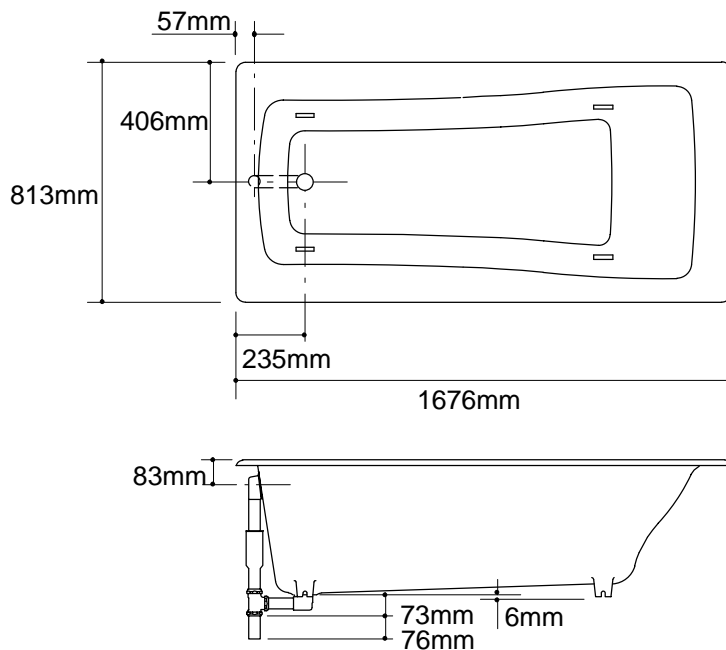
Applicable product:		
Bath with grip rails	K-839	not shown
Bath less grip rails	K-840	shown
Accessories/hardware:		
Grip rails (pair) (for K-839)	K-9621	required
Drain	K-7161-AF	recommended
Adjustable feet	K-1172	optional
Undermount installation kit (K-840 only)	K-585	optional
Vinyl tiling-in bead*	K-1179	optional
*Use K-1179 vinyl bead when wall material contacts any top surface of bath.		

Product Information

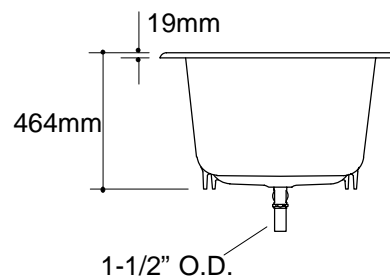
Fixture*:	basin area	top area	weight
Bathing well	1193 x 533mm	1448 x 635mm	159 Kg.
	water depth	capacity	
To overflow	330mm	208 litres	
* Approximate measurements for comparison only.			

Installation Notes

Refer to installation instructions included with fixture before beginning installation.



Roughing-In Notes	
Fixture dimensions are nominal and conform to tolerances in ANSI Standard A112.19.1.	
No change in measurements if connected with drain illustrated.	
Cut-out for drop-in	1638 x 775mm
Cut-out for undermount	K-585 template required



1.25>132

K-839, K-840 Maestro™ Bath
106125-1M-AA (A)