

K-11800-R
K-11802-R

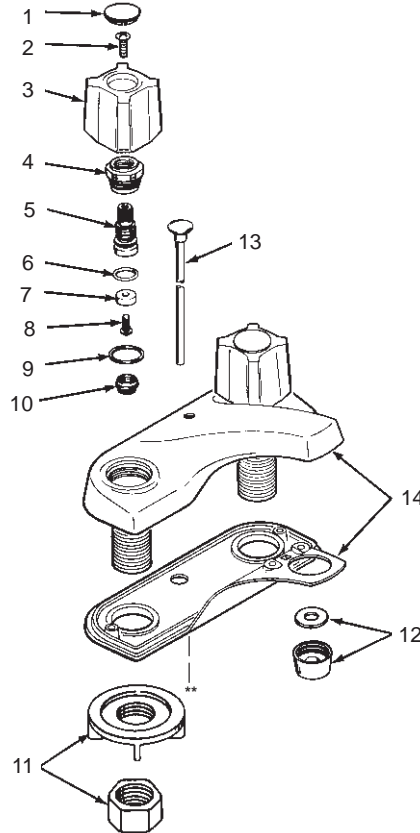
TREND II
TREND II

LAVATORY FITTING WITH POP-UP DRAIN
LAVATORY FITTING

ORDER BY KIT NUMBER OR PART NUMBER, NOT ITEM NUMBER OR KIT LETTER.

Ordering Options

Item	Part No. or Kit
1	B
2	C
3	D or G
4, 5	E
6, 7, 8, 9	E, A
10	A
11	F
12	41056‡
13	20781‡
14	*



Kit Ordering Information

Kit	Kit Part No.	Kit Name
A	30404	Valve Rebuilding
B	30000	Plug Button
C	30098	Screw
D	30011	Chrome Handle
E	30395	Valve Replacement
F	30228	Attachment S.A.
G	30009	Clear Acrylic Handles

Kit Contents
2 ea., Items 6 thru 10
2 ea., Item 1
2 ea., Item 2
2 ea., Item 3
1 ea., Items 4 thru 10
2 ea., Item 11
2 ea., Item 3

KITS MAY INCLUDE EXTRA PARTS

NOTES:

- * Not available as a service part.
- ** For Chrome Plate pop-up drain, see 40240 or 70402.
- ** For Polished Brass pop-up drain, see K-7701 or 70408.

LEGEND:

- ‡ Specify Finish.