

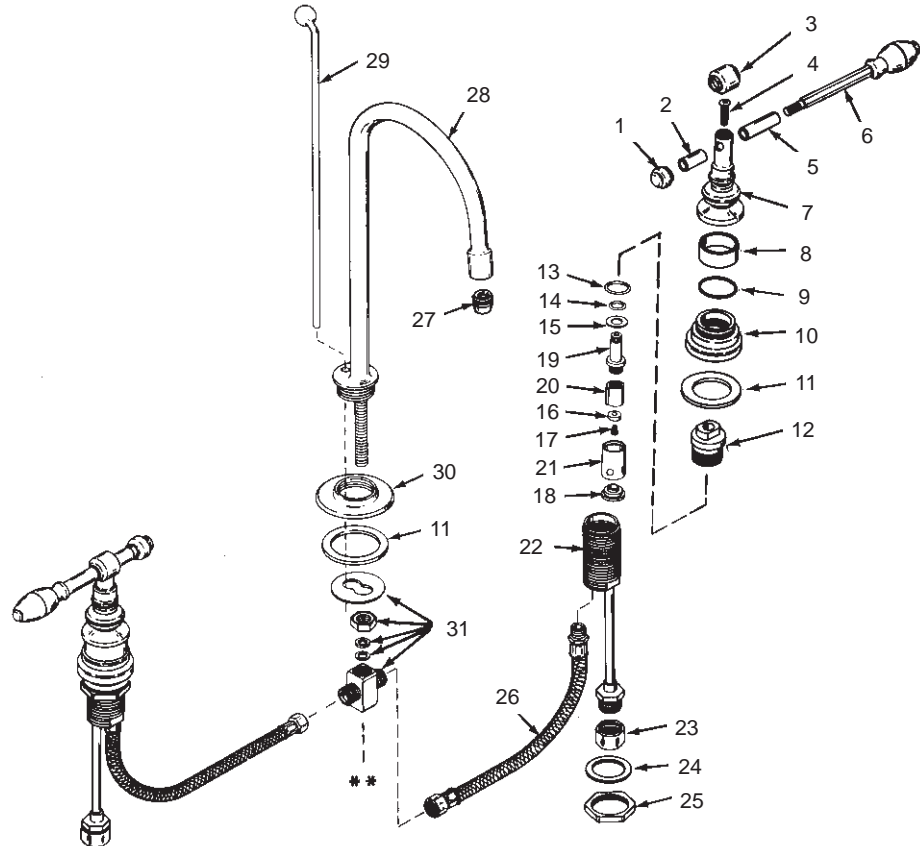
**K-6813  
-F**

IV GEORGES BRASS HIGH COUNTRY LAVATORY FITTING  
WITH FLEXIBLE CONNECTIONS

ORDER BY KIT NUMBER OR PART NUMBER, NOT ITEM NUMBER OR KIT LETTER.

### Ordering Options

Item	Part No. or Kit
1	36635‡
2	36639
3	36631‡
4	B
5	36640
6	36622‡
7	36641‡
8	36638
9	30045
10	40054‡
11	G
12	40002
13, 14, 15, 16,	A, C, or D
17, 18	A, C, or D
19, 20, 21	C or D
22	40004
23, 24, 25	E
26	F
27	41056‡
28	40152‡
29	40160‡
30	34304‡
31	H



### Kit Ordering Information

Kit	Kit Part No.	Kit Name
A	30294	Valve Rebuilding
B	30097 ‡	Screw
C	30127	Valve Replacement (Closes Counterclockwise)
D	30128	Valve (Closes Clockwise)
E	30332	Attachment S.A.
F	30233	Flexible Hose
G	30342	Gasket
H	40036	Tee Assembly

### Kit Contents

2 ea., Items 13 thru 18
2 ea., Item 4
1 ea., Items 13 thru 21
1 ea., Items 13 thru 21
2 ea., Items 23, 24, and 25
2 ea., Item 26
3 ea., Item 11
1 ea., Item 31

### KITS MAY INCLUDE EXTRA PARTS

#### NOTES:

- \* Not available as a service part.
- \*\* For pop-up drain, see K-7701.

#### LEGEND:

- ‡ Specify Finish.