

KOHLER® SERVICE PARTS

LAVATORY FITTINGS

K-13337
K-7435-DB
-F

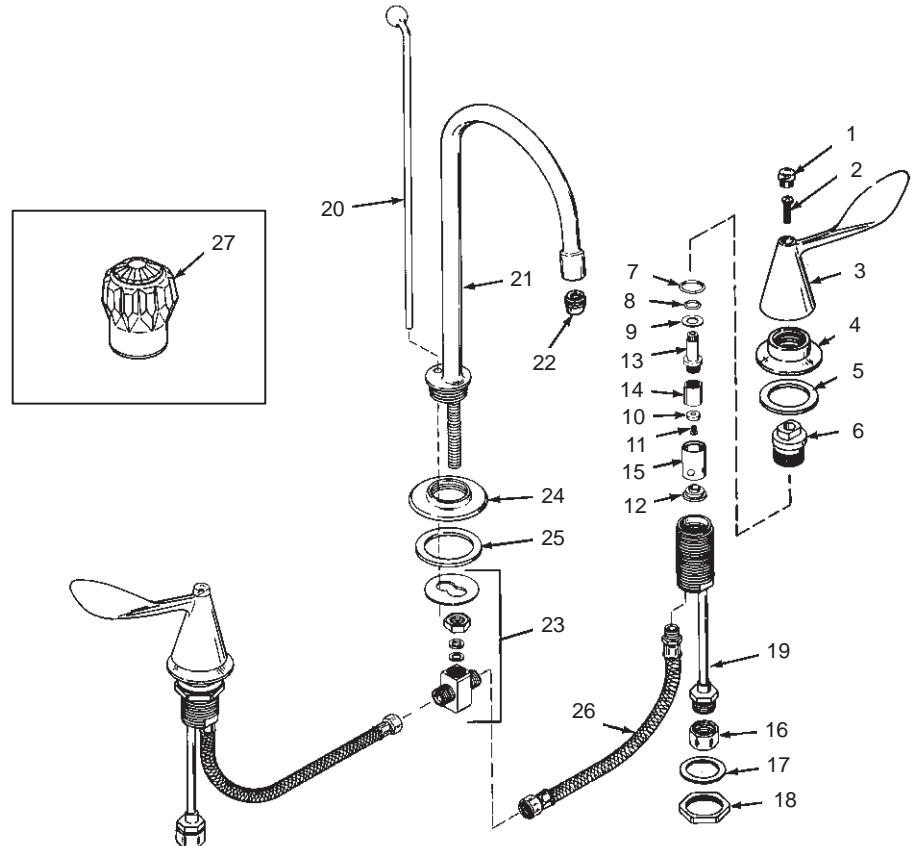
FINESSE HIGH COUNTRY
FLAIR II HIGH COUNTRY

LAVATORY FITTING
LAVATORY FITTING
FLEXIBLE CONNECTIONS

ORDER BY KIT NUMBER OR PART NUMBER, NOT ITEM NUMBER OR KIT LETTER.

Ordering Options Part No. or Kit

Item	Part No. or Kit
1	B
2	C
3	D
4	E
5	30340
6	40002
7, 8, 9, 10, 11, 12	A, F or G or H A, F or G or H
13, 14, 15	F or G or H
16, 17, 18	I
19	40004
20	N or O
21	23102‡
22	41056‡
23	J
24	K
25	35715
26	L
27	M



Kit Ordering Information

Kit	Kit Part No.	Kit Name	Kit Contents
A	30294	Valve Rebuilding	2 ea., Items 7 thru 12
B	30335	Plug Buttons	1 ea. Hot, 1 ea. Cold; Item 1
C	30336	Screw	2 ea., Item 2
D	30333 ‡	Finesse Handle (Large)	2 ea., Item 3
E	30077 ‡	Escutcheon	2 ea., Item 4
F	30134	Valve Replacement (Closes Counterclockwise, Finesse)	1 ea., Items 7 thru 15
G	30135	Valve Replacement (Closes Clockwise, Finesse)	1 ea., Items 7 thru 15
H	30002	Valve Replacement (Symmetric Handles)	1 ea., Items 7 thru 15
I	30228	Attachment S.A.	2 ea., Items 16, 17, and 18
J	40036	Cross Connection	1 ea., Item 23
K	34304 ‡	Escutcheon	1 ea., Item 24
L	30233	Flexible Hose	2 ea., Item 26
M	106299 §■	Flair, Flair II Handle Options	See INDEX.
N	40160	Lift Rod (Polished Brass)	1 ea., Item 20
O	40151	Lift Rod (Chrome)	1 ea., Item 20

KITS MAY INCLUDE EXTRA PARTS

NOTES:

For pop-up drain see K-7701.

LEGEND:

- ‡ Specify Finish.
- § Reference Number Only.
- Parts further exploded in catalog; see INDEX.