

K-13335  
K-13361

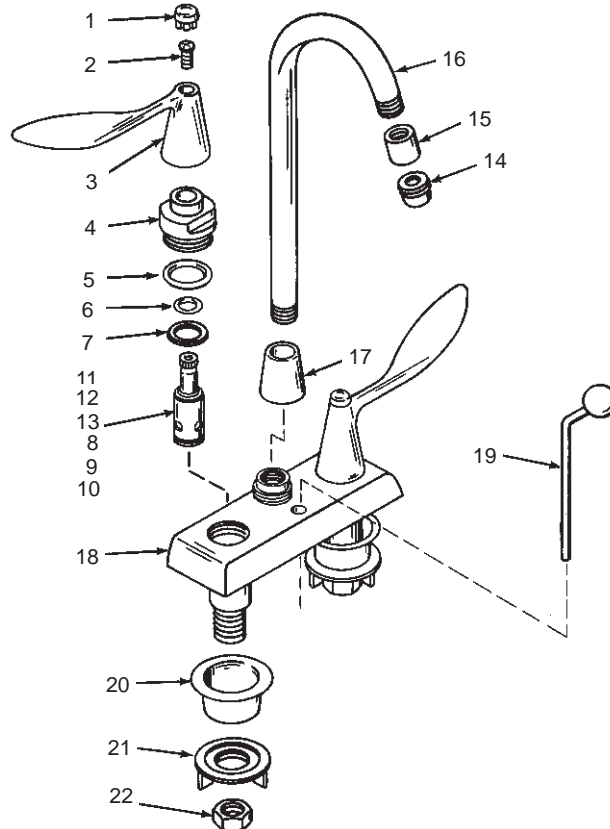
FINESSE  
FINESSE

HIGH COUNTRY LAVATORY FITTING  
HIGH COUNTRY LAVATORY FITTING WITH POP-UP DRAIN

ORDER BY KIT NUMBER OR PART NUMBER, NOT ITEM NUMBER OR KIT LETTER.

### Ordering Options

Item	Part No. or Kit
1	B
2	C
3	D
4	34260
5, 6, 7, 8, 9, 10	A
11, 12, 13	A, E or F
14	41056‡
15	34503‡
16	37814‡
17	43271‡
18	*
19	40156‡
20, 21, 22	G



### Kit Ordering Information

Kit	Kit Part No.	Kit Name	Kit Contents
A	30294	Valve Rebuilding	2 ea., Items 5 thru 10
B	30335	Plug Button	1 ea. Hot, 1 ea. Cold; Item 1
C	30336 ‡	Screw	2 ea., Item 2
D	30334 ‡	Small Finesse Handle	2 ea., Item 3
E	30134	Valve Replacement (Closes Clockwise)	1 ea., Items 5 thru 13
F	30135	Valve Replacement (Closes Counterclockwise)	1 ea., Items 5 thru 13
G	30227	Washer/Nut	2 ea., Items 20, 21, and 22

### KITS MAY INCLUDE EXTRA PARTS

#### NOTES:

\* Not available as a service part.  
For pop-up drain see K-7701.

#### LEGEND:

‡ Specify Finish.