

K-7411

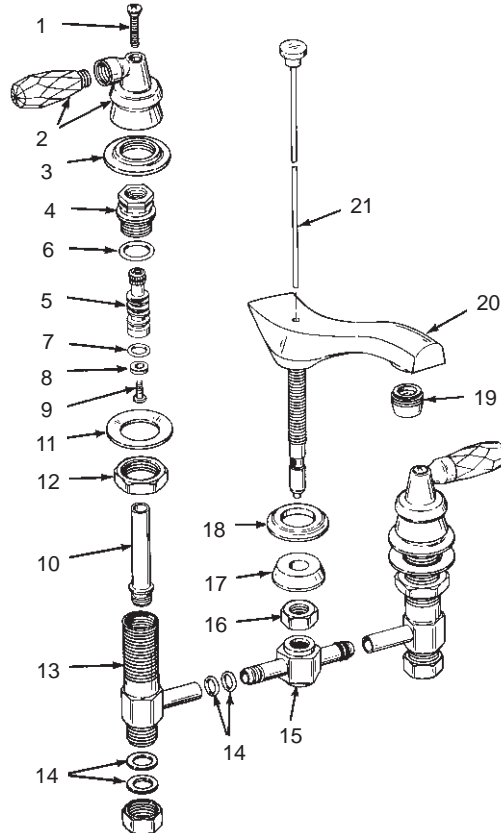
CENTERSPREAD™

LAVATORY FITTING

ORDER BY KIT NUMBER OR PART NUMBER, NOT ITEM NUMBER OR KIT LETTER.

### Ordering Options

| Item           | Part No. or Kit |
|----------------|-----------------|
| 1              | B               |
| 2              | C               |
| 3              | D               |
| 4, 5           | E or I          |
| 6, 7, 8, 9, 10 | A, E, or I      |
| 11, 12         | F               |
| 13             | 40308           |
| 14             | G               |
| 15             | 40312           |
| 16, 17         | H               |
| 18             | 40182           |
| 19             | 41056‡          |
| 20             | *               |
| 21             | 40197‡          |



### Kit Ordering Information

| Kit | Kit Part No. | Kit Name                                    | Kit Contents           |
|-----|--------------|---|------------------------|
| A   | 30383        | Valve Rebuilding                            | 2 ea., Items 6 thru 10 |
| B   | 30379 ‡      | Screw                                       | 2 ea., Item 1          |
| C   | 30380 ‡      | Handle                                      | 2 ea., Item 2          |
| D   | 30381 ‡      | Escutcheon                                  | 2 ea., Item 3          |
| E   | 30384        | Valve Replacement (Closes Counterclockwise) | 1 ea., Items 4 thru 10 |
| F   | 30386        | Attachment S.A.                             | 2 ea., Items 11 and 12 |
| G   | 30387        | O-Ring                                      | 4 ea., Item 14         |
| H   | 30388        | Connection                                  | 1 ea., Items 16 and 17 |
| I   | 30385        | Valve Replacement (Closes Clockwise)        | 1 ea., Items 4 thru 10 |

### KITS MAY INCLUDE EXTRA PARTS

#### NOTES:

- \* Not available as a service part.
- For Chrome Plate pop-up drain, see 40240 or 70402.
- For Polished Brass pop-up drain, see K-7701 or 70408.

#### LEGEND:

- ‡ Specify Finish.