

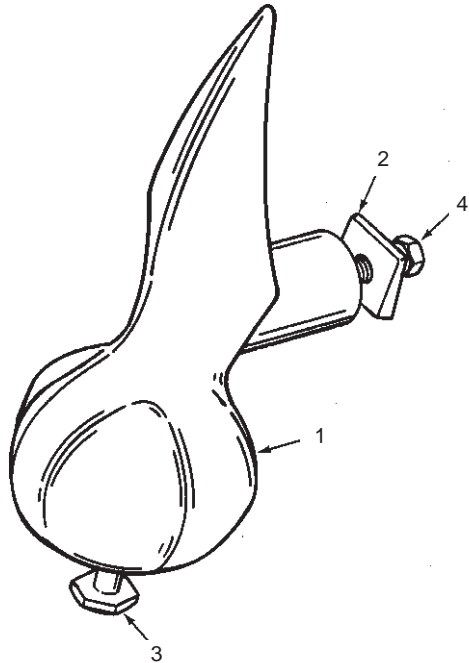
K-102

BIRTHDAY BATH LEG

K-1172

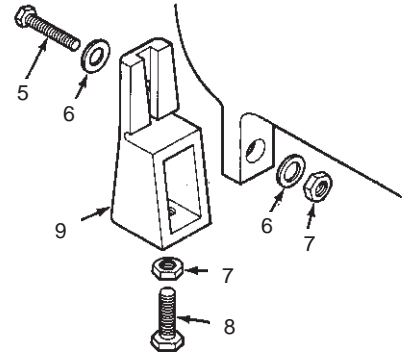
MAESTRO BATH LEG

ORDER BY KIT NUMBER OR PART NUMBER, NOT ITEM NUMBER OR KIT LETTER.



### Ordering Options

Item	Part No. or Kit
1	63056‡
2, 3, 4	A
5, 6, 7, 8	B
9	*



### Kit Ordering Information

Kit	Kit Part No.	Kit Name
A	30382	Bolt
B	52199	Hardware S.A.

### Kit Contents

4 ea., Items 2, 3, and 4  
4 ea., Items 5 and 8; 8 ea., Items 6 and 7

### KITS MAY INCLUDE EXTRA PARTS

#### NOTES:

\* Not available as a service part.

#### LEGEND:

‡ Specify Finish.