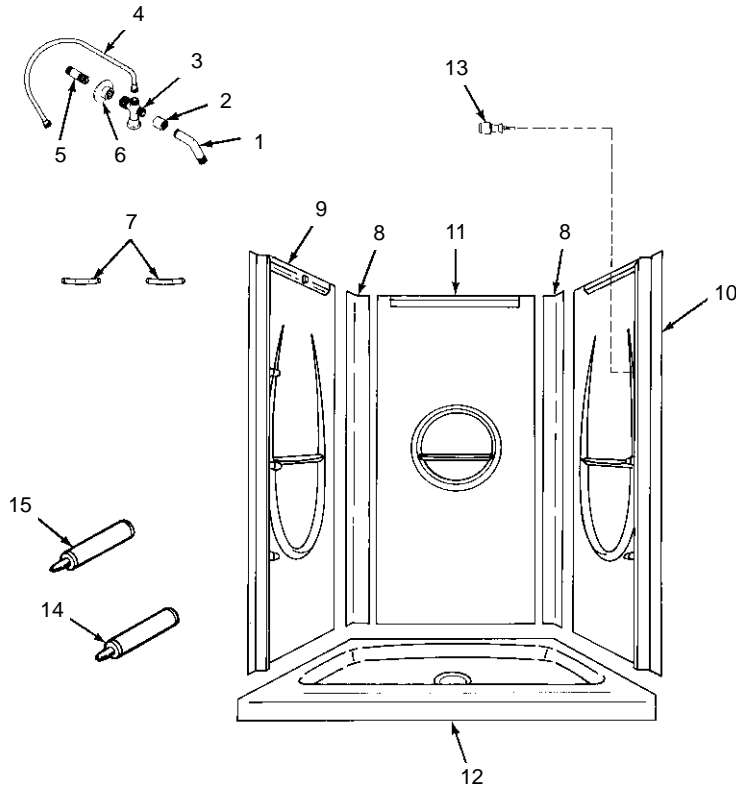


**106236§** SWISS SHOWER FRP FITTINGS  
**K-1441** SWISS SHOWER PERMAWALL™ FITTINGS  
**K-1451** SHOWER RECEPTOR 36" x 36"  
 SHOWER RECEPTOR 36" x 48"

SEE EXPANDED "NOTES" SECTION BELOW FOR PRODUCT NUMBERS.  
 ORDER BY KIT NUMBER OR PART NUMBER, NOT ITEM NUMBER OR KIT LETTER.

### Ordering Options

Item	Part No. or Kit
1, 2	A
3	50217‡
4	50214‡
5	50191‡
6	20345‡
7	B
8	50175‡
9	C or D
10	E or F
11	G or H
12	I or J
13	K or L
14	M
15	N



### Kit Ordering Information

Kit	Kit Part No.	Kit Name	Kit Contents
A	30159 ‡	Shower Arm and Coupling	1 ea., Items 1 and 2
B	30400 ‡	PermaWall Swiss Shower Connecting Hose	2 ea., Item 7
C	50259 ‡	PermaWall Control Side Panel with Swiss Shower (Left Control)	1 ea., Item 9
D	50228 ‡	PermaWall Control Side Panel with Swiss Shower (Right Control)	1 ea., Item 9
E	50227 ‡	PermaWall Plain Side Panel with Swiss Shower (Right Control)	1 ea., Item 10
F	50260 ‡	PermaWall Plain Side Panel with Swiss Shower (Left Control)	1 ea., Item 10
G	50229 ‡	PermaWall 36" x 72" Back Panel with Swiss Shower	1 ea., Item 11
H	50230 ‡	PermaWall 48" x 72" Back Panel with Swiss Shower	1 ea., Item 11
I	*	36" x 36" Receptor (K-1441)	1 ea., Item 12
J	*	36" x 48" Receptor (K-1451)	1 ea., Item 12
K	50203 ‡	2-5/16" Length Showerhead for FRP Swiss Shower	1 ea., Item 13
L	50202 ‡	1-15/16" Length Showerhead for PermaWall Swiss Shower	1 ea., Item 13
M	50164	Adhesive	1 ea., Item 14
N	50165 ‡	Sealant (Color-Matched)	1 ea., Item 15

### KITS MAY INCLUDE EXTRA PARTS

#### NOTES:

Other Product Numbers Using Same Parts:

K-1442	K-1452		K-1437
K-1443	K-1453	PermaWall	K-1438 FRP
			K-1447

\* Not available as a service part.

#### LEGEND:

‡ Specify Finish.