

## Ordering Information

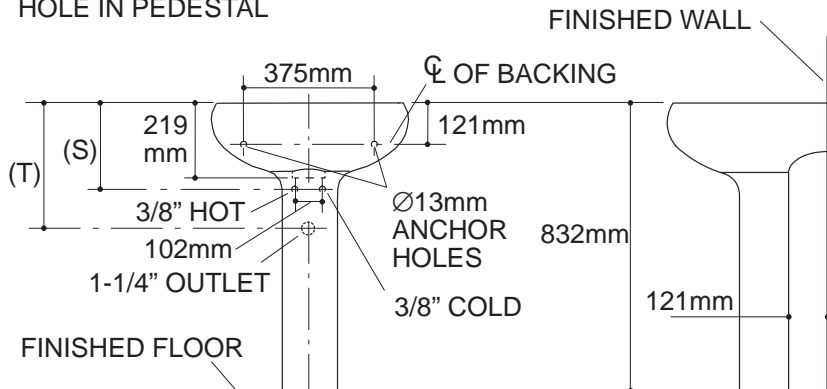
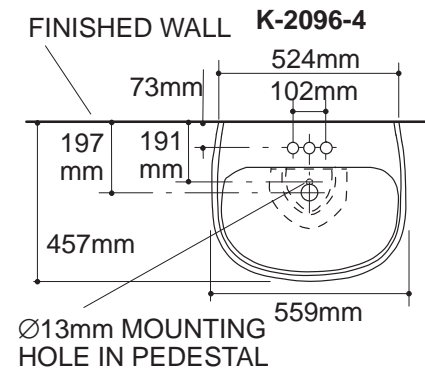
Applicable product:		
102mm centers lavatory	K-2096-4	shown
203mm centers lavatory	K-2096-8	not shown
Single-hole lavatory	K-2096-1	not shown
Accessories/hardware:		
Lavatory supplies, 3/8" pr.	K-7605-P	recommended
Trap	K-8998	recommended

## Product Information

Fixture*:		basin area	water depth
Lavatory		508 x 305mm	140mm
Outlet	Ø44mm		
* Approximate measurements for comparison only.			

Holes	<b>K-2096-4</b>	<b>K-2096-8</b>	<b>K-2096-1</b>
Spout	Ø30mm	Ø30mm	Ø30mm
Faucet	Ø30mm	Ø35mm	

Included Components:	
Lavatory basin, 102mm centers	K-2145-4
Lavatory basin, 203mm centers	K-2145-8
Lavatory basin, single-hole	K-2145-1
Pedestal	K-2147
Pedestal accessory pack	52204
Rubber pads	63069

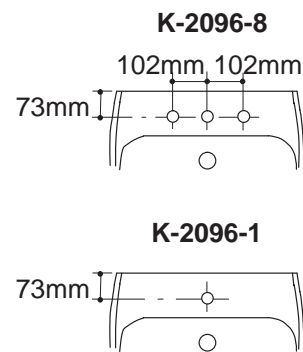


## Roughing-In Notes

Fixture dimensions are nominal and conform to tolerances in ASME Standard A112.19.2M and CSA B45.

(T) Pop-up drain 362mm.

(S) 254mm (Based on 305mm riser which may require cutting).



.75<116