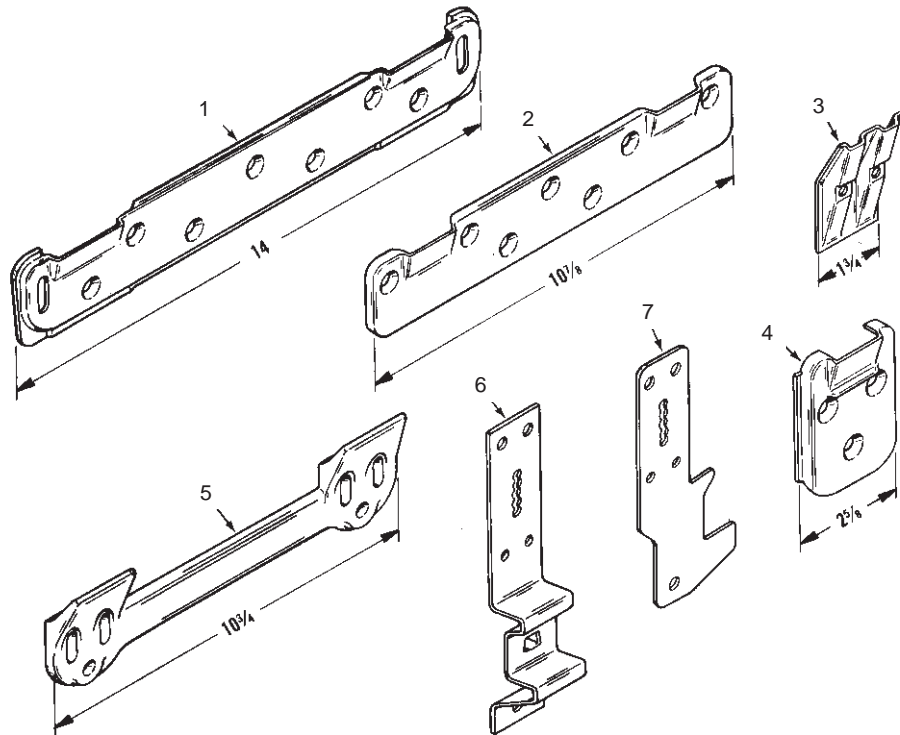


LAVATORY, SINK, URINAL AND TUB HANGERS

ORDER BY KIT NUMBER OR PART NUMBER, NOT ITEM NUMBER OR KIT LETTER.

Ordering Options

Item	Part No. or Kit
1	64503
2	64508
3	64512
4	64515
5	64839
6	27381*
7	27458**



Kit Ordering Information

Kit	Kit Part No.	Kit Name	Kit Contents
-----	--------------	----------	--------------

KITS MAY INCLUDE EXTRA PARTS

NOTES:

- * K-1175
- ** K-1176

LEGEND: