

KOHLER® SERVICE PARTS

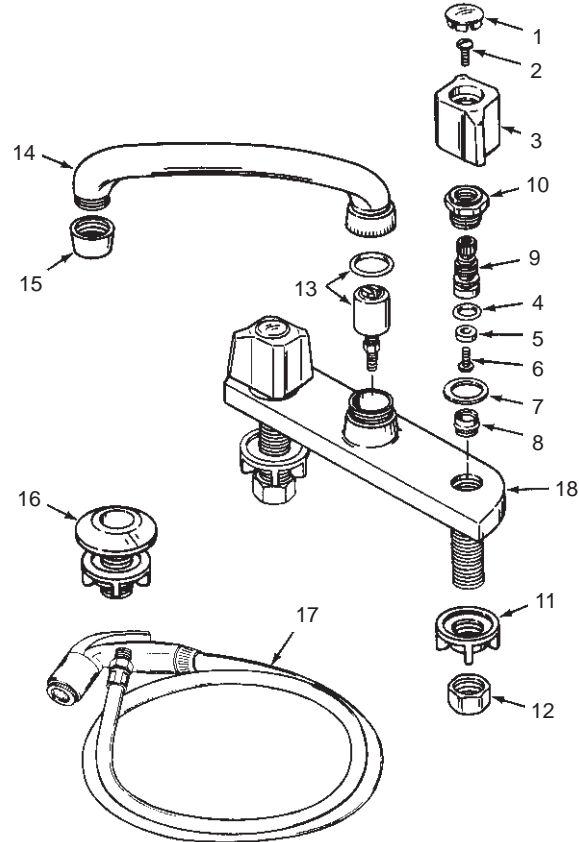
SINK FITTINGS

K-11920-R TREND SINK FITTING
K-11925-R TREND SINK FITTING W/HAND SPRAY

ORDER BY KIT NUMBER OR PART NUMBER, NOT ITEM NUMBER OR KIT LETTER.

Ordering Options

Item	Part No. or Kit
1	B
2	31491
3	40108
	20986
	20984
4, 5, 6, 7, 8	A, D or E
9, 10	D or E
11, 12	F
13	G
14	H
15	30070, I
16	40132‡
17	20816‡
18	*



Kit Ordering Information

Kit	Kit Part No.	Kit Name	Kit Contents
A	30404	Valve and Seat Kit	2 ea., Items 4 thru 8
B	30000	Plug Button Kit	2 ea., Item 1
C	40108	Lever Handle (Chrome)	2 ea., Item 3
D	30395	Valve Replacement (Closes Clockwise)	1 ea., Items 4 thru 10
E	30396	Valve Replacement (Closes Counterclockwise)	1 ea., Items 4 thru 10
F	30228	Attachment Assembly	2 ea., Items 11 and 12
G	40124	Diverter	1 ea., Item 13
H	40114 ‡	Spout Assembly	1 ea., Items 14 and 15

KITS MAY INCLUDE EXTRA PARTS

NOTES:

* Not available as a service part.

LEGEND:

‡ Specify Finish.