

WALL-MOUNT LAVATORY

K-2083

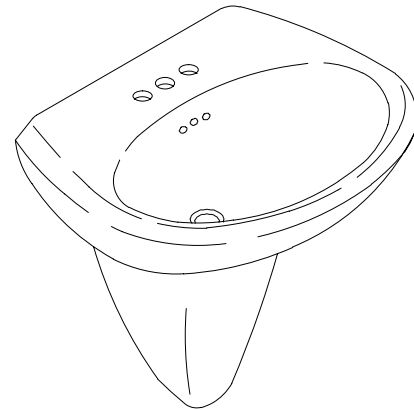
FEATURES

- 24" x 19"
- Vitreous china
- Wall-mount
- 4" centers (K-2083-4), 8" centers (K-2083-8) or single-hole (K-2083-1) drilling
- With overflow

CODES/STANDARDS APPLICABLE

Specified model meets or exceeds the following:

- ASME/ANSI A112.19.2M
- IAPMO/UPC
- Canadian Standards Association (CSA)
- State of Massachusetts



COLORS/FINISHES

- 0 White
- Other Refer to Fixtures Price Book for additional colors

Accessories:

- CP Polished Chrome
- Other Refer to Faucets Price Book for additional finishes

SPECIFIED MODEL:

Model	Description	Colors/Finishes	
K-2083-4	4" centers lavatory	<input type="checkbox"/> 0 White	<input type="checkbox"/> Other_____
K-2083-8	8" centers lavatory	<input type="checkbox"/> 0 White	<input type="checkbox"/> Other_____
K-2083-1	Single-hole lavatory	<input type="checkbox"/> 0 White	<input type="checkbox"/> Other_____

Recommended Accessories			
K-7605-P	Lavatory supplies 3/8" (pair)	<input type="checkbox"/> CP	<input type="checkbox"/> Other_____
K-8998	Trap	<input type="checkbox"/> CP	<input type="checkbox"/> Other_____

PRODUCT SPECIFICATION:

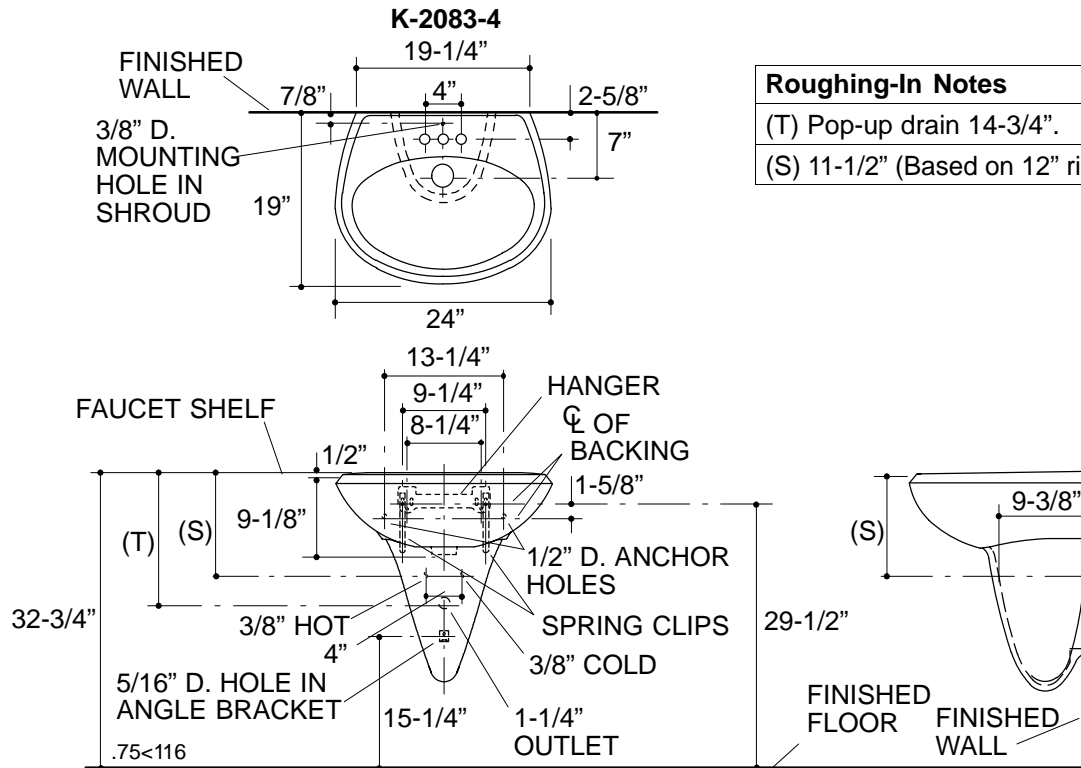
The wall-mount lavatory shall be 24" in length, and 19" in width. Lavatory shall be made of vitreous china. Lavatory shall have 4" centers (K-2083-4), 8" centers (K-2083-8), or single-hole (K-2083-1) drilling. Lavatory shall have overflow. Lavatory shall be Kohler Model K-2083-_____-_____.

PRODUCT INFORMATION

Fixture*:		basin area	water depth
Lavatory		22" x 13"	5"
Outlet	1-3/4" D.		
* Approximate measurements for comparison only.			

Holes	K-2083-4	K-2083-8	K-2083-1
Spout	1-3/16" D.	1-3/16" D.	1-3/8" D.
Faucet	1-3/16" D.	1-3/8" D.	

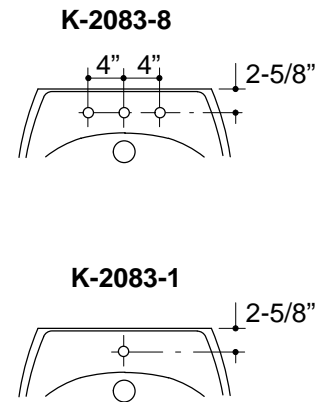
Included Components:	
Lavatory basin, 4" centers	K-2138-4
Lavatory basin, 8" centers	K-2138-8
Lavatory basin, single-hole	K-2138-1
Shroud	K-2143
Shroud accessory pack	52205
Hanger	64839
Rubber pads	63069



Roughing-In Notes

(T) Pop-up drain 14-3/4".

(S) 11-1/2" (Based on 12" riser which may require cutting).



PRODUCT DIAGRAM