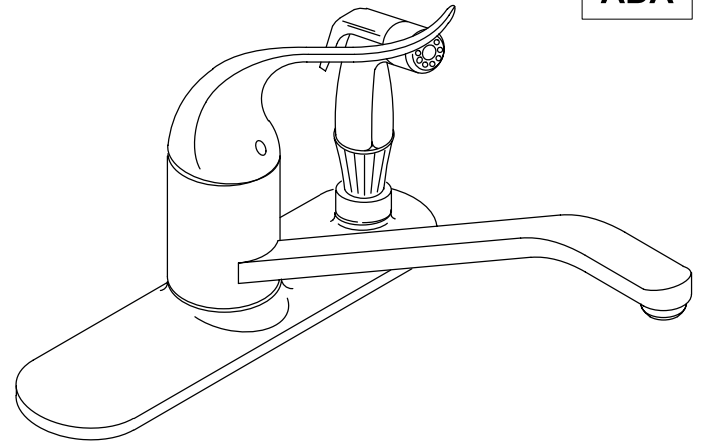


**KITCHEN SINK FAUCET
K-15173**

ADA

FEATURES

- Metal construction
- One-piece self-contained ceramic disc valve allows both volume and temperature control
- Temperature memory allowing faucet to be turned on and off at any temperature setting
- High-temperature limit stop
- Available with an 8-1/2" or 10" swing spout
- 2.2 gallons per minute
- Lever handle
- Black handspray through escutcheon
- Optional ground joint connections



CODES/STANDARDS APPLICABLE

Specified model meets or exceeds the following:

- ASME/ANSI A112.18.1M
- CSA B125
- Energy Policy Act of 1992
- IAPMO/UPC
- NSF 61


COLORS/FINISHES

- CP Polished Chrome

SPECIFIED MODEL:

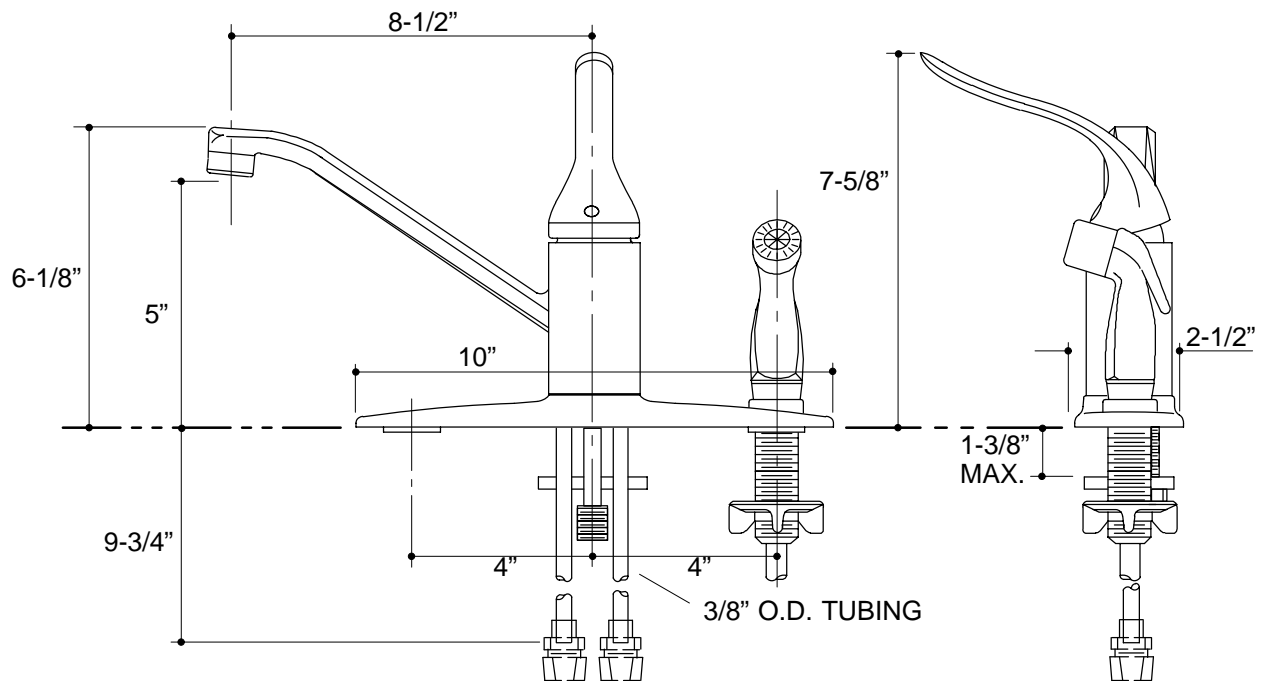
Model	Description	
K-15173	With 8-1/2" Swing Spout	<input type="checkbox"/> CP
K-15173-P	With 8-1/2" Swing Spout and Ground Joint Connections	<input type="checkbox"/> CP
K-15173-PT	With 10" Swing Spout and Ground Joint Connections	<input type="checkbox"/> CP

NOTE: Faucet comes with black handspray and polished chrome trim ring.

Optional Accessory		
K-15179-A	12" Swing Spout and Aerator	<input type="checkbox"/> CP

PRODUCT SPECIFICATION:

Single-control kitchen sink faucet shall be of metal construction. The valve shall be a one-piece, self-contained ceramic disc valve, and allows both volume and temperature control. The valve shall feature temperature memory, allowing the faucet to be turned on and off at any temperature setting, and includes a high-temperature limit stop. Product shall include 8-1/2" or 10" swing spout, lever handle, and black handspray through escutcheon. Optional feature shall be ground joint connections. Faucet shall be Kohler Model K-15173-_____-CP.



PRODUCT DIAGRAM