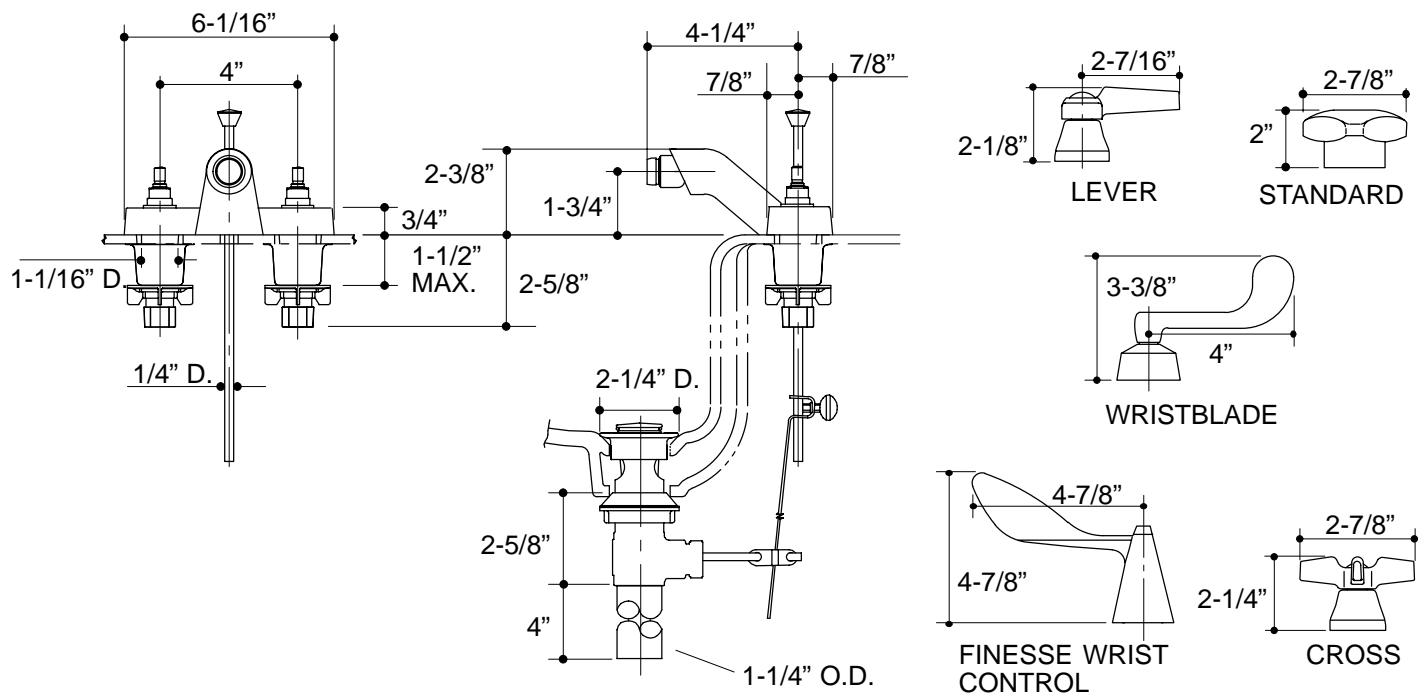


Ordering Information

Applicable faucet:	
Base faucet with pop-up drain*	K-9279-K
Handles:	
Triton standard handles	K-16010-2
Triton cross handles	K-16010-3
Triton lever handles	K-16010-4
Triton wristblade lever handles	K-16010-5
Finesse wrist control lever handles	K-16050-5
*Handles must be ordered to complete faucet.	
ADA Lever and cross handles are ADA compliant	



316

K-9279-K Triton/Finesse Bidet Base Faucet
106291-1-DA (-)

KOHLER®

NOTES: