

KOHLER® SERVICE PARTS

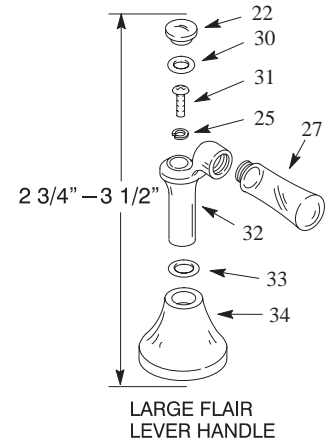
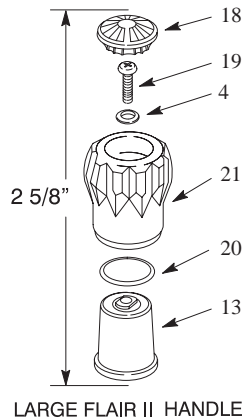
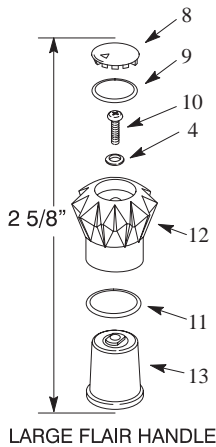
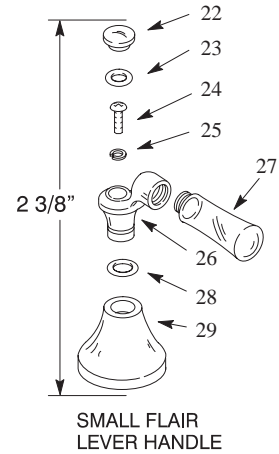
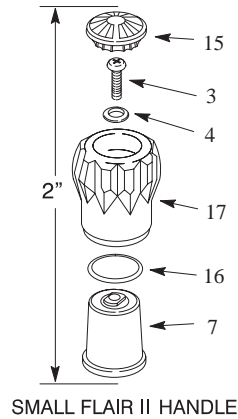
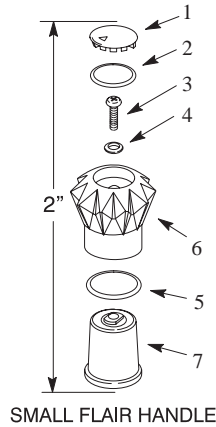
FAUCET HANDLES

106299§ FLAIR, FLAIR II, FLAIR LEVER HANDLE OPTIONS *

ORDER BY KIT NUMBER OR PART NUMBER, NOT ITEM NUMBER OR KIT LETTER.

Ordering Options

Item	Part No. or Kit
1	41243 ‡
2	41376
3	41110
4	41298
5	41364
6	A or B or C or D
7	41242 ‡
8	E or F
9	41375
10	21634
11	41360
12	G or H or I or J
13	41240 ‡
14	43147
15	K or L
16	43168
17	43142
18	52663 ‡
19	21634
20	43167
21	43146
22	50351 ‡
23	33993
24	64453
25	37793
26	50347 ‡
27	50349 ‡
28	42045
29	50344 ‡
30	33993
31	61439
32	50348 ‡
33	38820
34	50346 ‡



OVER

NOTES:

* Flair, Flair II, and Flair Lever are not interchangeable on all valve bodies.

LEGEND:

‡ Specify finish and index.
§ Reference number only.

FAUCET HANDLES

106299§ FLAIR, FLAIR II, FLAIR LEVER HANDLE OPTIONS *

Con't

ORDER BY KIT NUMBER OR PART NUMBER, NOT ITEM NUMBER OR KIT LETTER.

Kit Ordering Information

Kit	Kit Part No.	Kit Name	Kit Contents
A	41241	Small Handle (Clear)	1 ea., item 6
B	41271	Small Handle (Amber)	1 ea., item 6
C	41272	Small Handle (Charcoal)	1 ea., item 6
D	41273	Small Handle (White)	1 ea., item 6
E	41244	Large Flair Index Cap (Clear)	1 ea., item 8
F	41275	Large Flair Index Cap (Amber)	1 ea., item 8
G	41239	Large Handle (Clear)	1 ea., item 12
H	41268	Large Handle (Amber)	1 ea., item 12
I	41269	Large Handle (Charcoal)	1 ea., item 12
J	41270	Large Handle (White)	1 ea., item 12
K	43144	Index Button (Hot)	1 ea., item 15
L	43145	Index Button (Cold)	1 ea., item 15

KITS MAY INCLUDE EXTRA PARTS

NOTES:

* Flair, Flair II, and Flair Lever are not interchangeable on all valve bodies.

LEGEND:

‡ Specify finish and index.
§ Reference number only.

this page is 1.5% of original art

