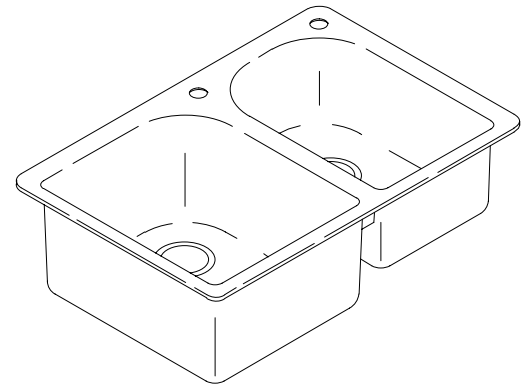


SELF-RIMMING KITCHEN SINK

K-5922

FEATURES

- 33" x 22"
- Cast iron
- Acid resistant enamel finish
- Self-rimming
- Double (large/medium) compartment
- 2-hole drilling



CODES/STANDARDS APPLICABLE

Specified model meets or exceeds the following:

- ASME/ANSI A112.19.1M
- IAPMO/UPC
- Canadian Standards Association (CSA)
- State of Massachusetts

COLORS/FINISHES

- 0 White
- Other Refer to Fixtures Price Book for additional colors

Accessories:

- CP Polished Chrome
- 0 White
- NA None Applicable
- Other Refer to Price Book for additional colors

SPECIFIED MODEL:

Model	Description	Colors/Finishes	
K-5922-2	2-hole sink	<input type="checkbox"/> 0 White	<input type="checkbox"/> Other_____

Recommended Accessories			
K-9000	Trap		<input type="checkbox"/> CP

Optional Accessories			
K-6001	Bottom basin rack (for left basin only)	<input type="checkbox"/> 0 White	<input type="checkbox"/> Other_____
K-6515	Cutting board	<input type="checkbox"/> 0 White	<input type="checkbox"/> NA
K-6522	Wire rinse basket (for right basin only)	<input type="checkbox"/> 0 White	<input type="checkbox"/> Other_____
K-8801	Duostrainer sink strainer	<input type="checkbox"/> CP	<input type="checkbox"/> Other_____

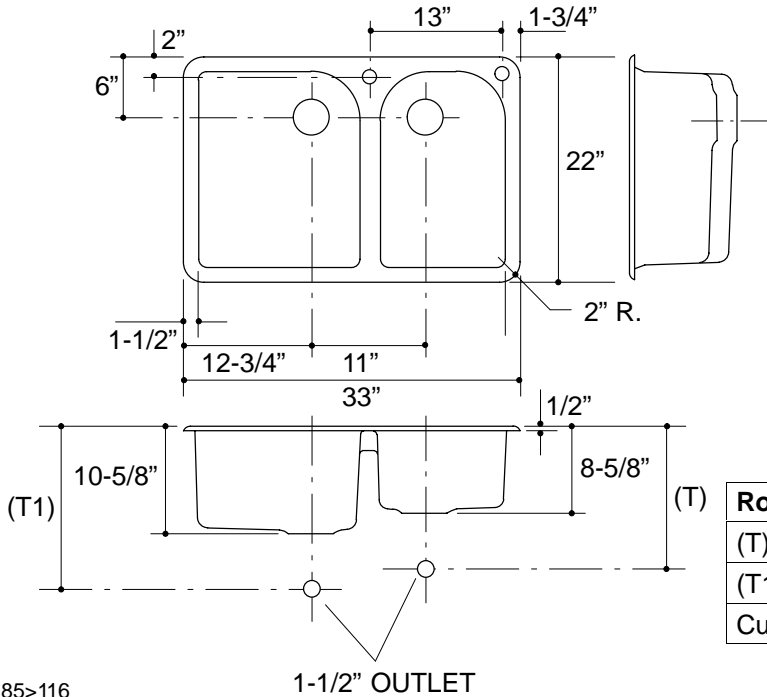
PRODUCT SPECIFICATION:

The self-rimming sink shall be 33" in length, and 22" in width. Sink shall be made of cast iron with acid resistant enamel finish. Sink shall be double (large/medium) compartment with 10" deep left basin and 8" deep right basin. Sink shall be 2-hole drilled. Sink shall be Kohler Model K-5922-2-_____.

MARSALA™

PRODUCT INFORMATION

Fixture*:		basin area	water depth
Sink, small		12" x 19"	7-3/4"
Sink, large		16" x 19"	9-3/4"
Outlets	3-5/8" D.		
Faucet holes	1-3/8" D.		
* Approximate measurements for comparison only.			



Roughing-In Notes	
(T)	Drain typically 14".
(T1)	Drain typically 16".
Cutout	31-3/4" x 20-3/4" with 1" radius corners.

.85>116

PRODUCT DIAGRAM